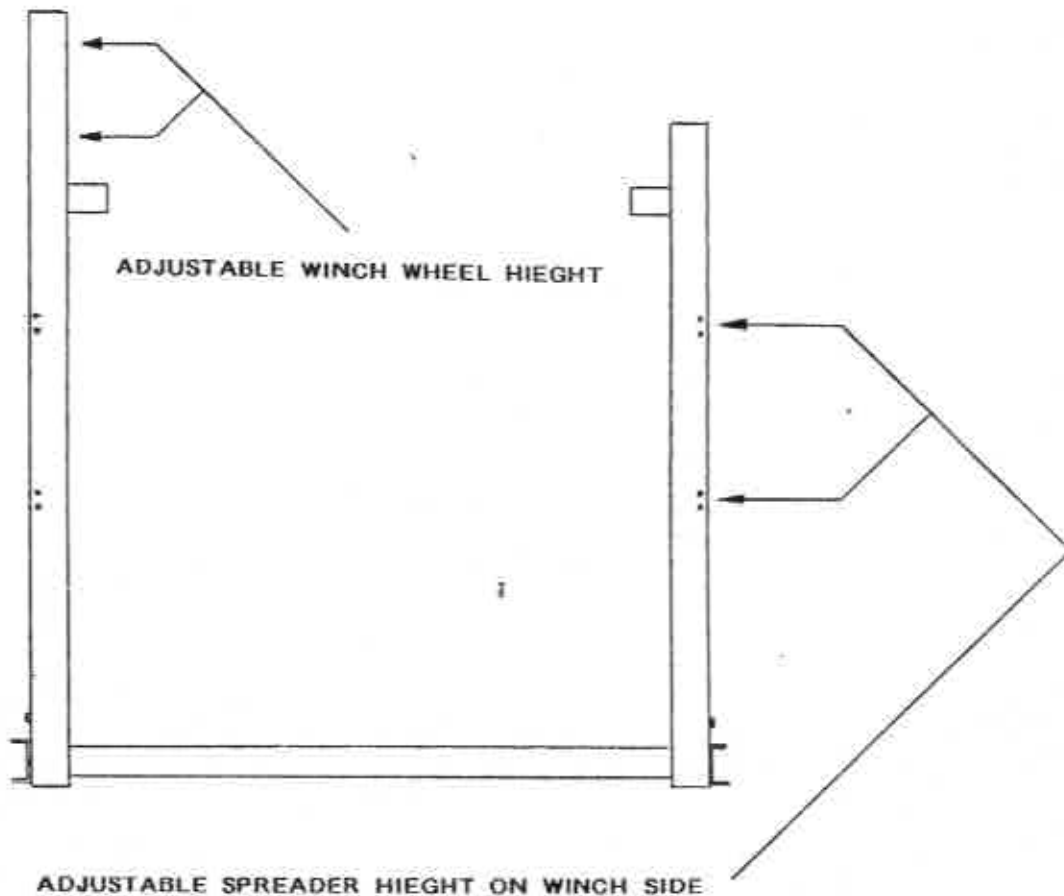


STARR 2001
INDUSTRIES INC
PO Box 70 Camden, MI 49232
Phone 517-368-5890
Fax 517-368-5976

Assembly Instructions

PWCV 900
900# capacity

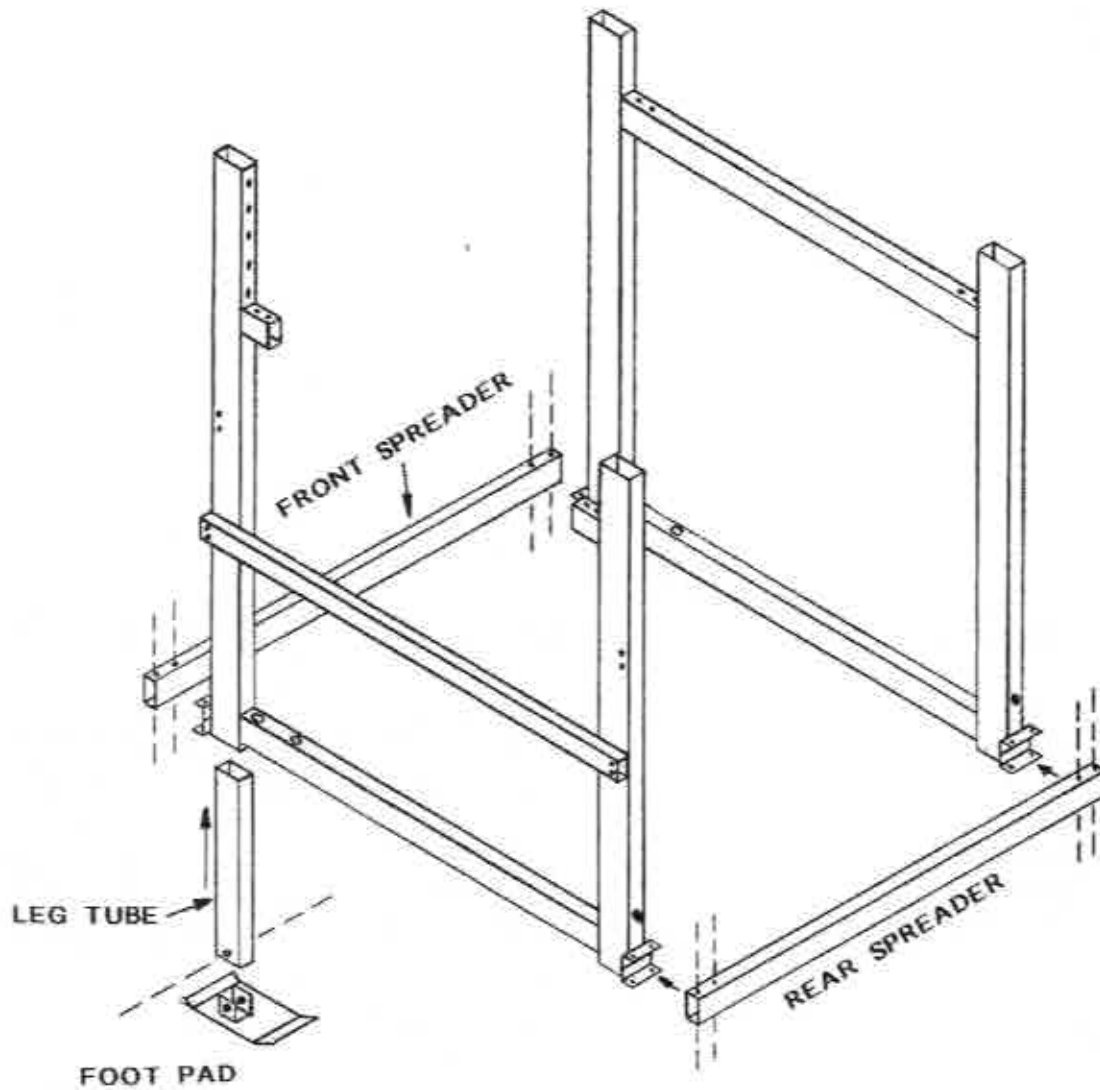
STEP 1



NOTE: SPREADER MUST BE ON THE OUTSIDE OF THE LIFT

Step 1 - Mount the Tower spreader to tower uprights. The spreader location is determined by the height of the dock and right or left hand application. The spreader must be bolted on the out side of your lift so it does not interfere with the carriage traveling up and down

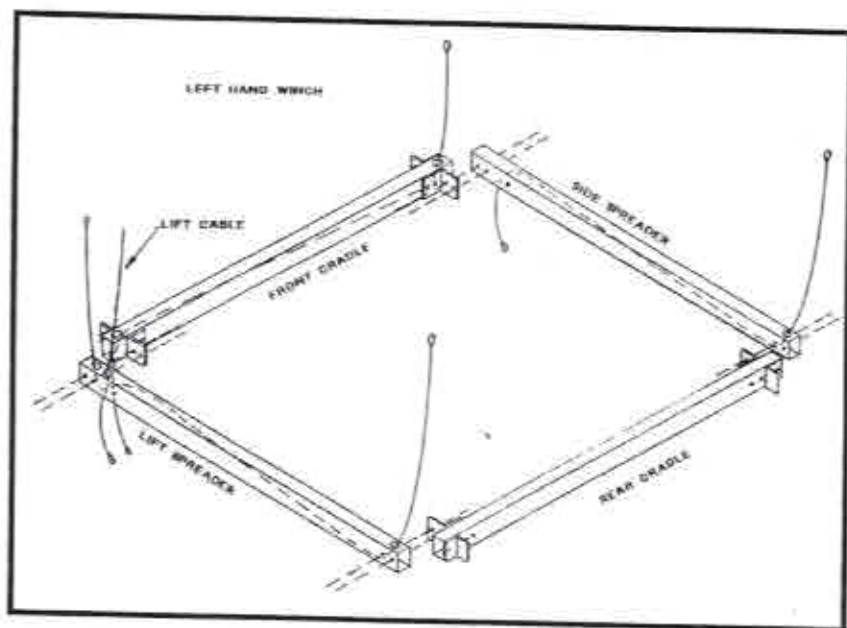
Step 2 & 3



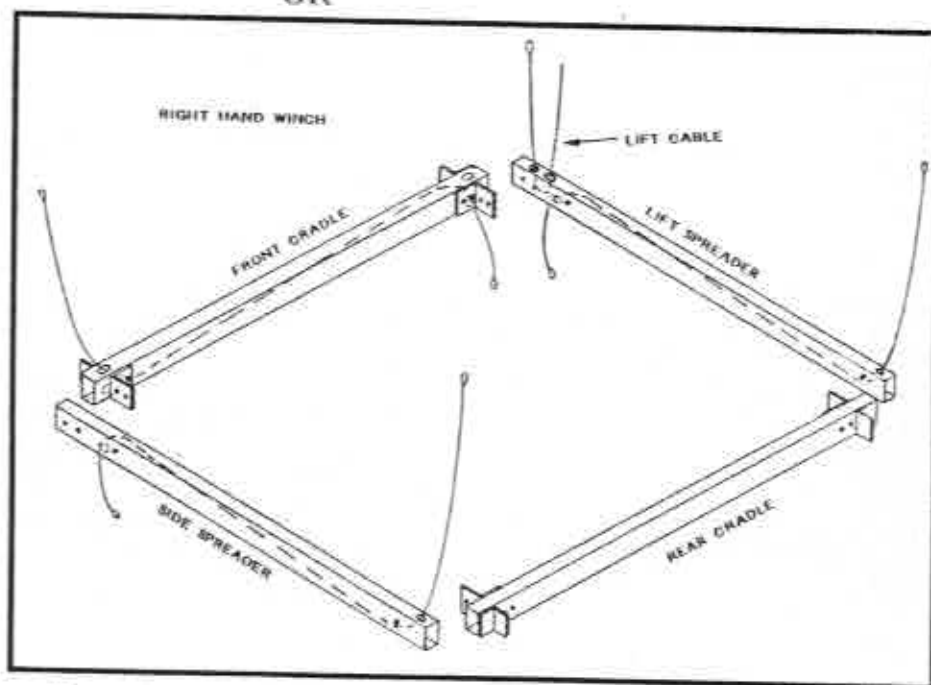
Step 2 - Mount the front and rear spreaders to the towers using $\frac{3}{8} \times 3\frac{1}{2}$ hex bolts.

Step 3 - Bolt the Leg tubes to the foot pads using $\frac{1}{2} \times 2\frac{3}{4}$ hex bolts. The second step is to insert legs into towers. The adjustment bolt is pre-installed.

Step 4

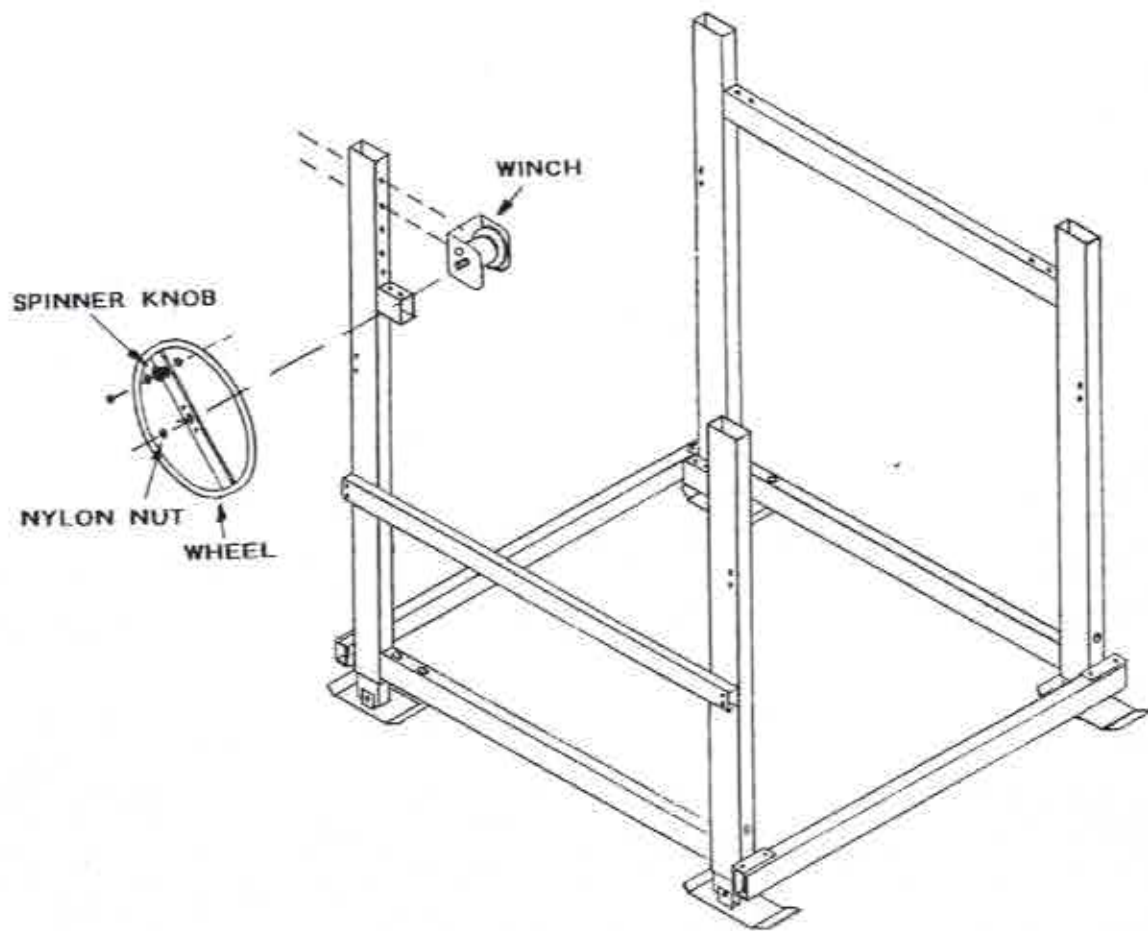


OR



Step 4 - Bolting your cradles and cradle spreaders together. Use $\frac{3}{8} \times 2\frac{1}{4}$ hex bolts. In this step the way the cradles bolt together depends on your winch wheel location. (Right or Left side) If your winch is on the Right, you must pull out the cable in the front cradle and reverse it. The cable must always dead end **DOWN** on the winch side, and **UP** opposite of the winch side.

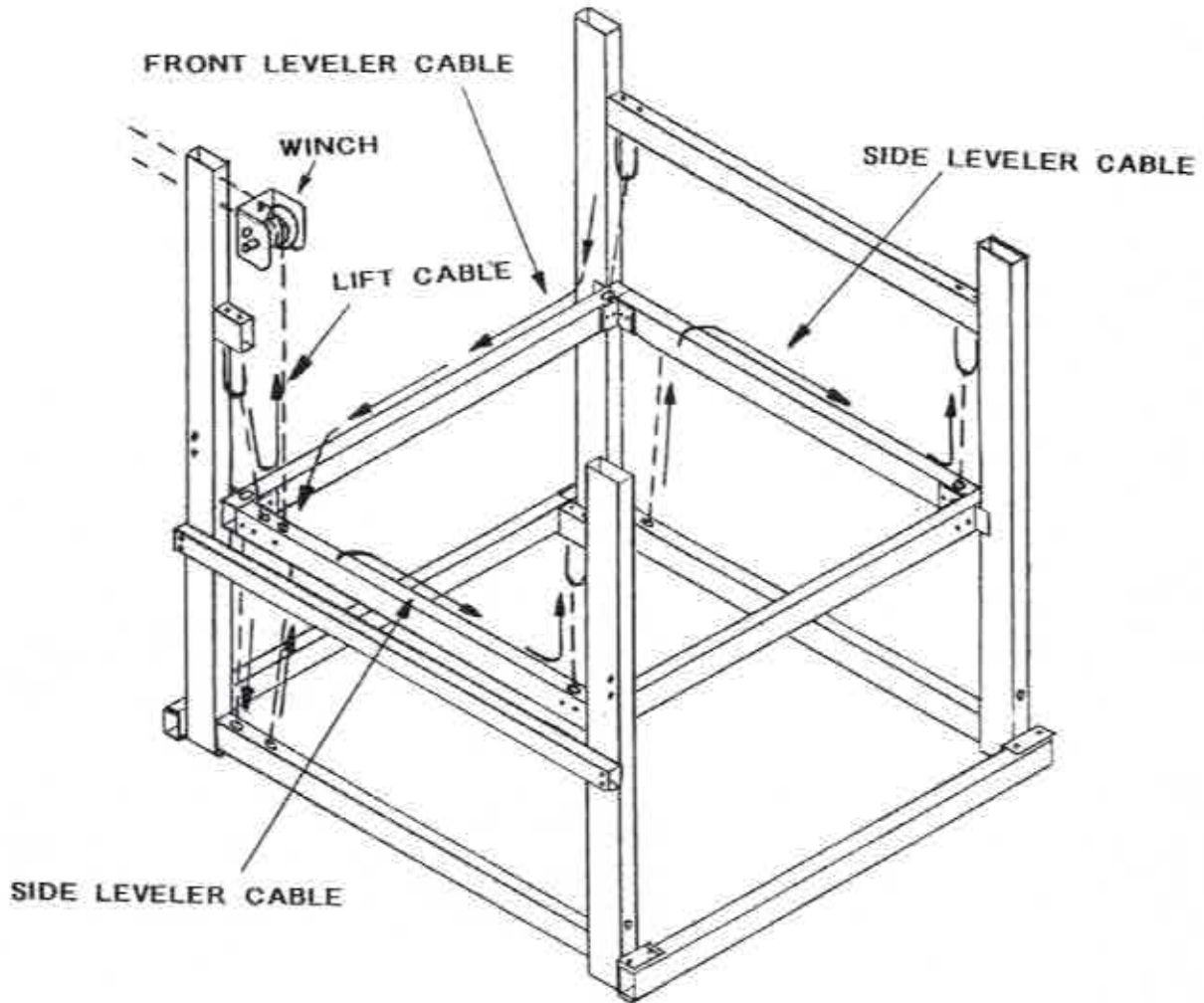
Step 5 & 6



Step 5 - Mount your winch using $\frac{3}{8}$ x 5 hex bolts.
(If your lift is right hand, you must use a spacer tube)

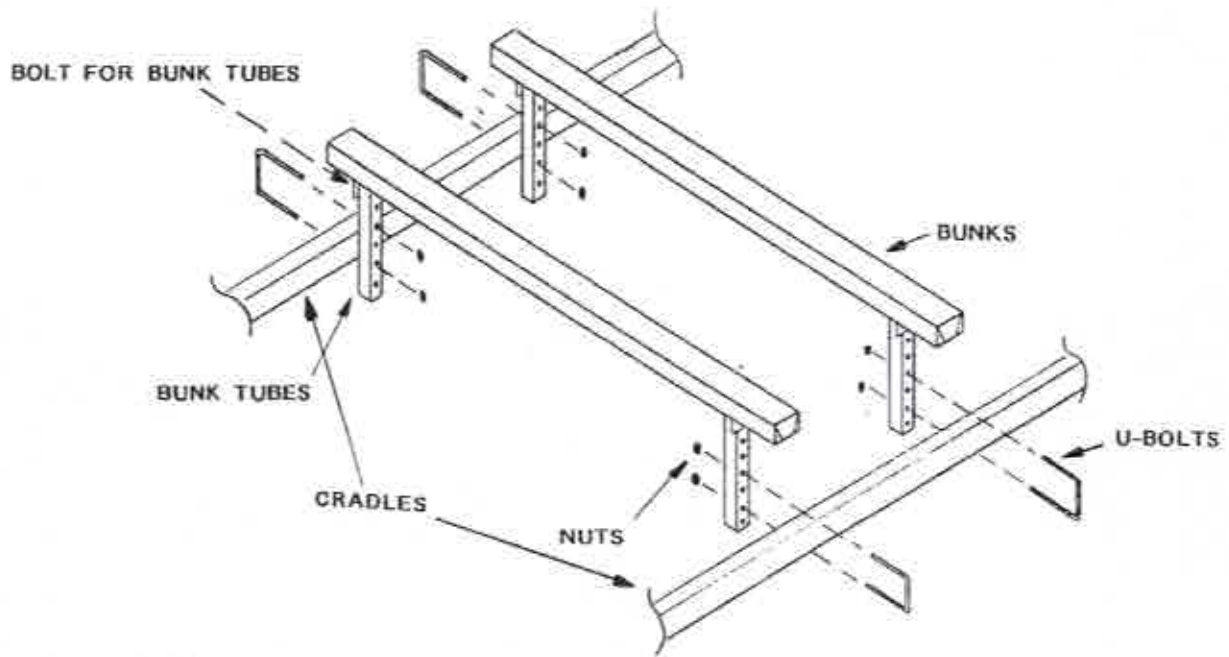
Step 6 - Mount your wheel to your winch. Be sure the nylon nut is tight or your slotted hole will round out. Second part is to install your spinner knob using $\frac{3}{8}$ x $2\frac{1}{2}$ hex bolts and 2 washers.

Step 7



Step 7 - Stringing your lift. Use Diagram.

Step 8 & 9



Step 8 - Mount your bunk tubes using $\frac{3}{8} \times 3 \frac{3}{4} \times 4$ square bend U-bolts. Then bolt on your bunks using $\frac{3}{8} \times 2 \frac{1}{4}$ hex bolts.

Step 9 - Install all caps in towers and spreaders.