

STARBUCK

INDUSTRIES

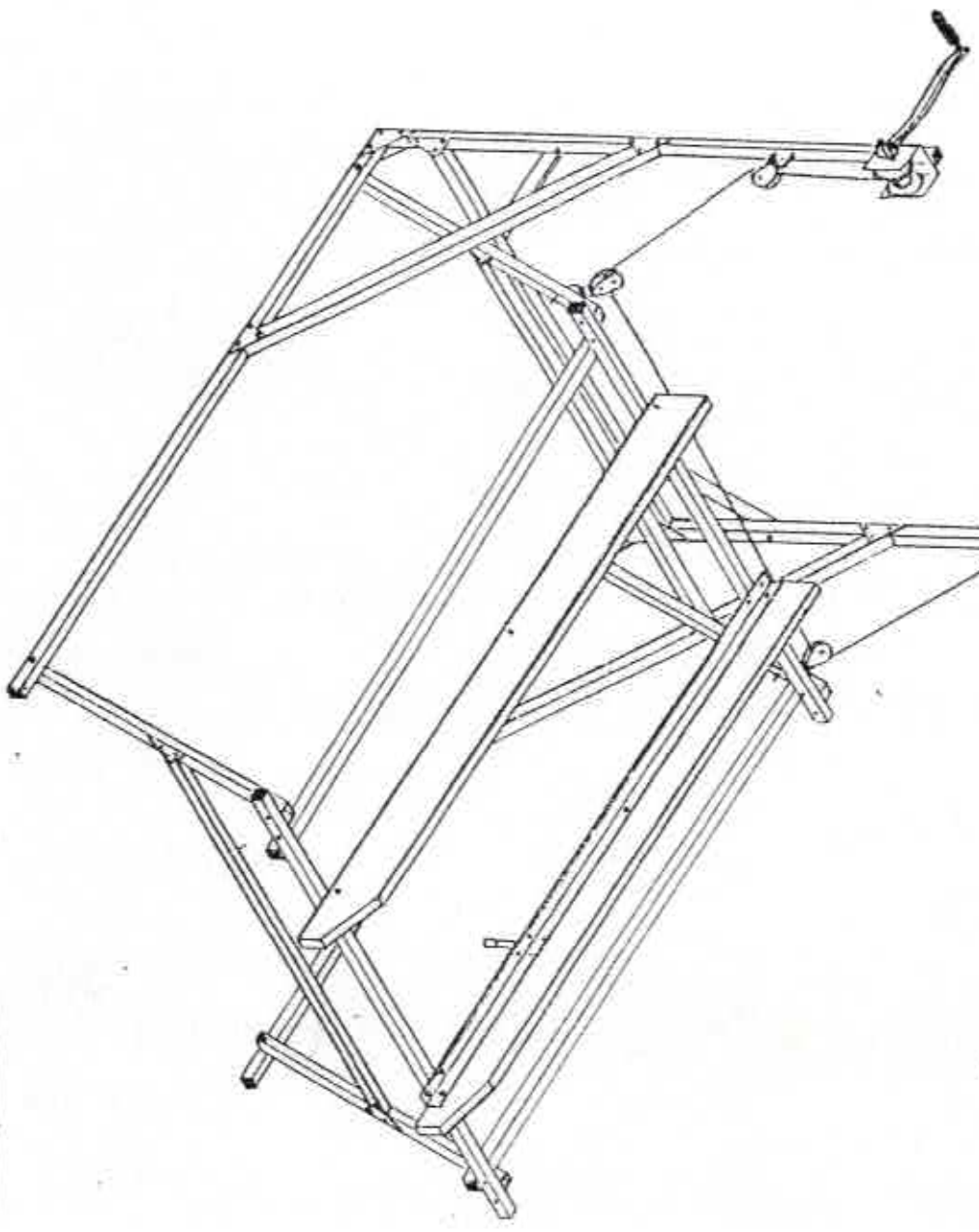
BLS 10

1000# capacity

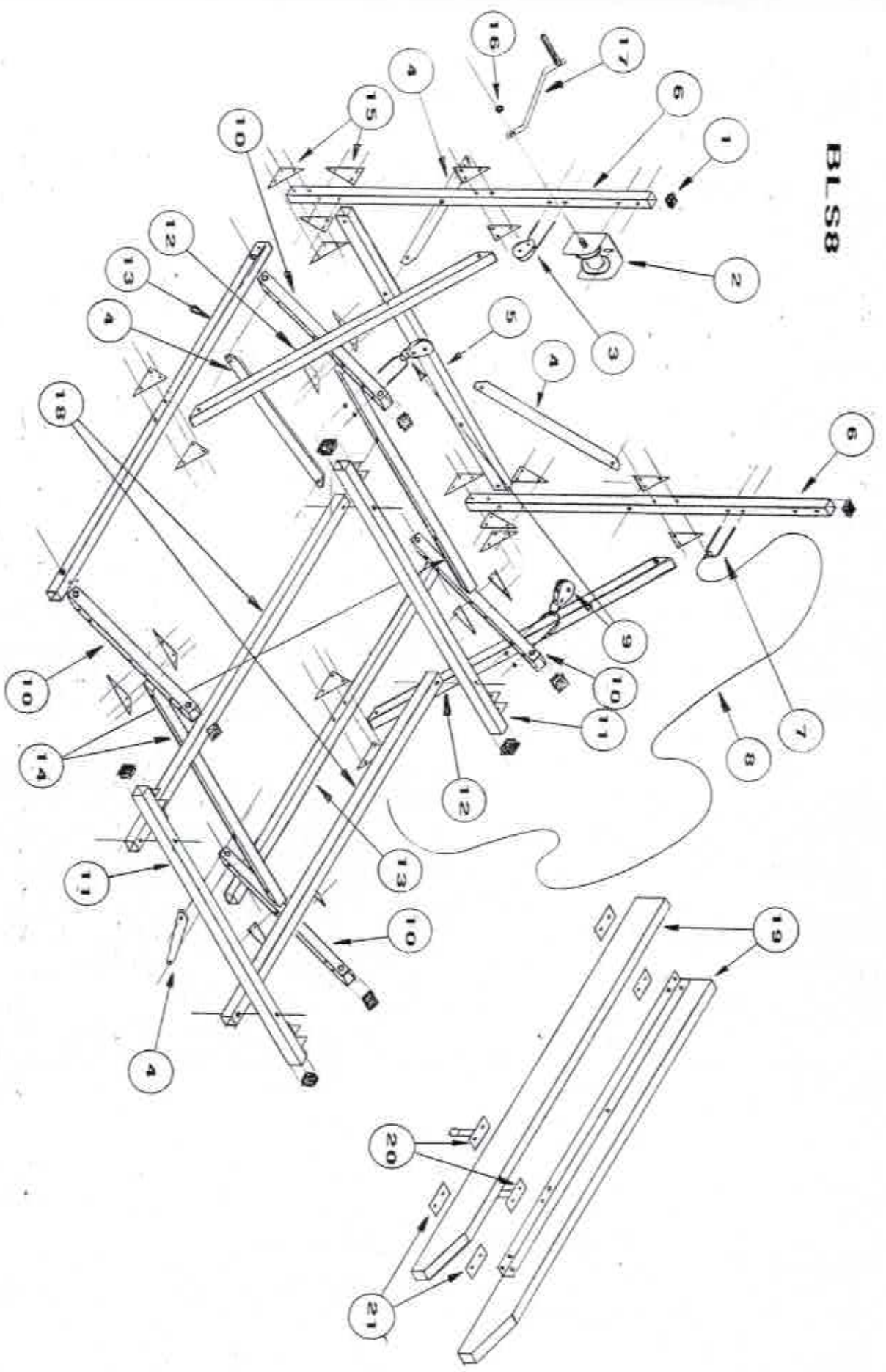
small boat lift

standard or deluxe

Galvanized Steel



BLS8

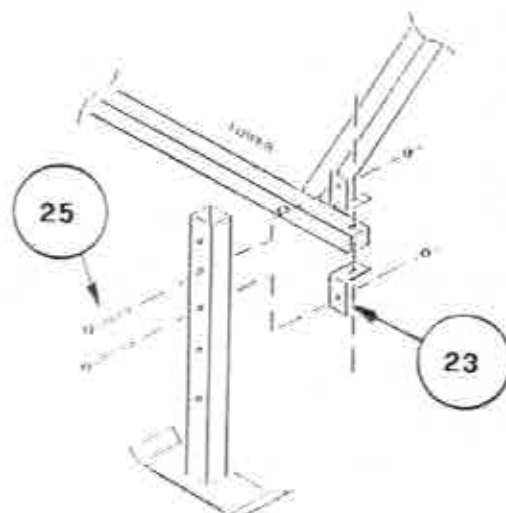
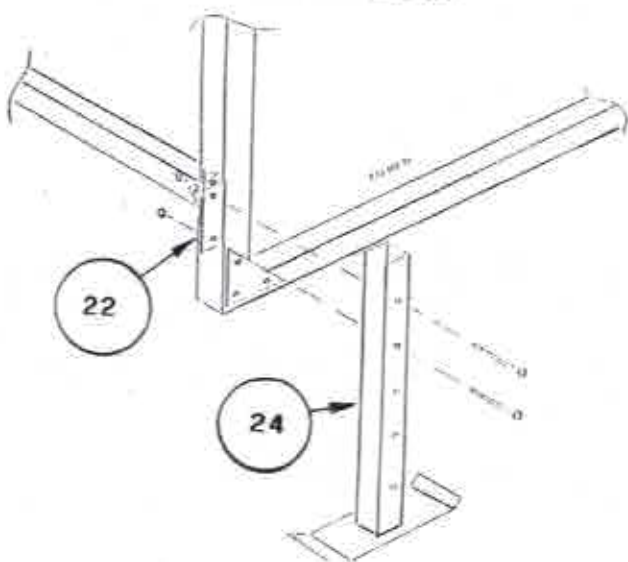


BLS8 COMPONENT SHEET

DETAIL #	PART #	DESCRIPTION
1	BLS8SQCAP	1-1/2" X 1-1/2" SQUARE CAP
2	BLS8WNCH	1000# BRAKE WINCH
3	BLS8TWRPLY	TOWER PULLEY
4	BLS8SPRTBRC	SUPPORT BRACES
5	BLS8FSPS1	72" FRONT SPREADER TUBE
6	BLS8TWRS1D1	62" UPPER TOWER TUBE
7	BLS8UBLT	3/8" x 2" x 3-1/4" ROUND U-BOLT
8	BLS8CBLS1	CABLE ASSEMBLY COMPLETE
9	BLS8HNGPLYLL	HINGE PULLEY W/ LAP LINK
10	BLS8HNGS1D1	30" HINGE LEG
11	BLS8CRDS1D1	75-1/2" CRADLE TUBE
12	BLS8TWRS1D3	46" TOWER BRACE
13	BLS8TWRS1D2	72" LOWER TOWER TUBE
14	BLS8HNGS1D2	68-1/2" HINGE SPREADER
15	BLS8TRIPLT	TRIANGULAR PLATE
16	BLS8WNCHNUT	NYLON WINCH NUT
17	BLS8WNCHHNDL	WINCH HANDLE
17DXK	BLS8WHLS1	DELUXE KIT WHEEL
18	BLS8CRDSP	66" CRADLE SPREADER TUBE
19	BLS8BNKS1	BUNK BOARD W/ ANGLE
20	BLS8BSS1	BUNK STOP ASSEMBLY
21	BLS8BPLT	BUNK BACKING PLATE
22	BLS8FLEGBKT	DELUXE KIT FRONT LEG BRACKET
23	BLS8RLEGBKT	DELUXE KIT REAR LEG BRACKET
24	BLS8LEG	DELUXE KIT LEG COMPLETE
25	BLS8N&B	DELUXE KIT NUT & BOLT

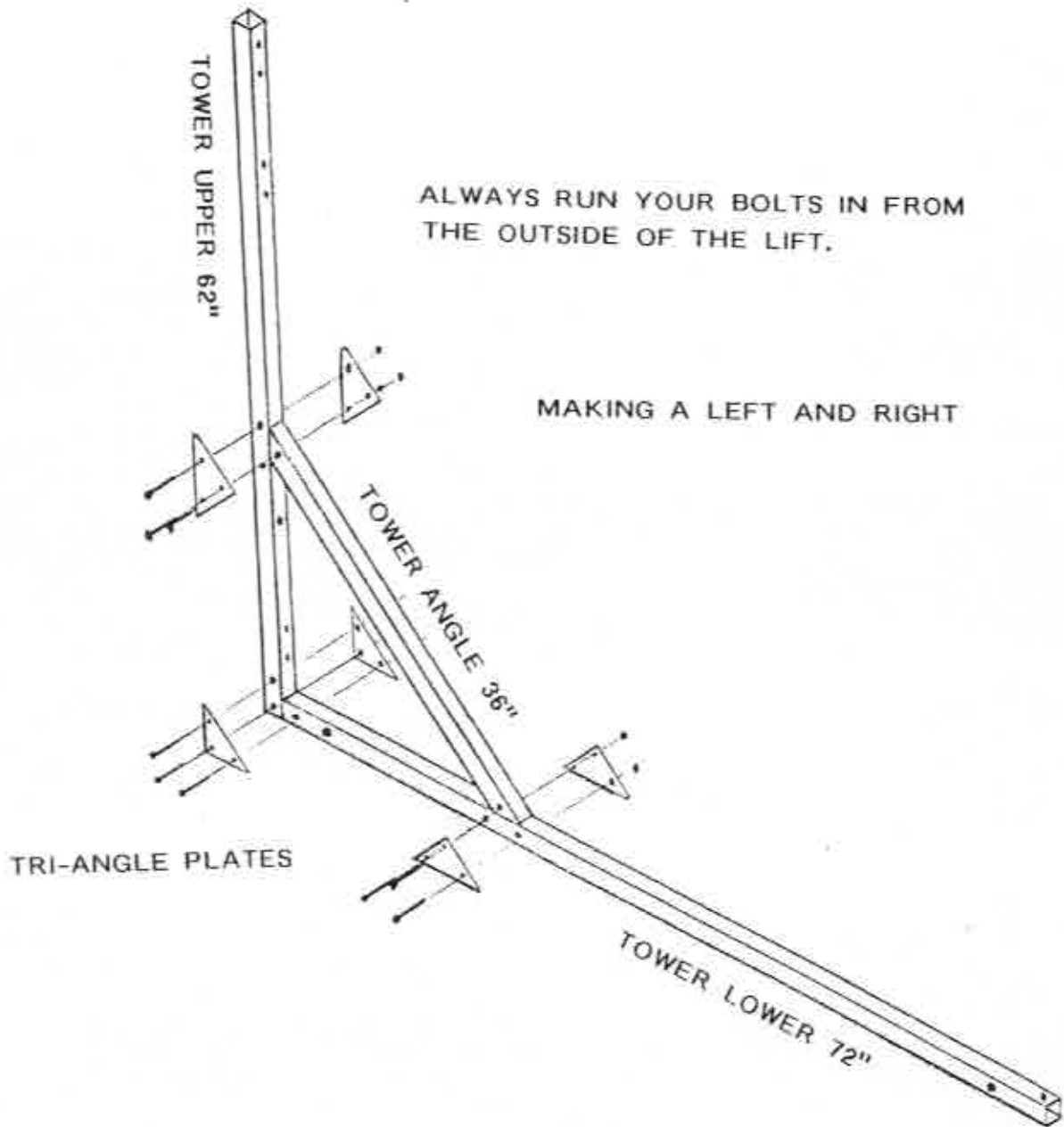
FRONT LEG

REAR LEG



STEP 1

ASSEMBLE TWO TOWERS. USE ONE: 62", ONE 72" AND ONE 36" ANGLED TUBE; SIX: TRIANGLE PLATES; NINE: 3/8" X 2-1/4 HEX BOLT AND NINE: 3/8" NUTS FOR EACH TOWER SHOWN IN DIAGRAM #1.

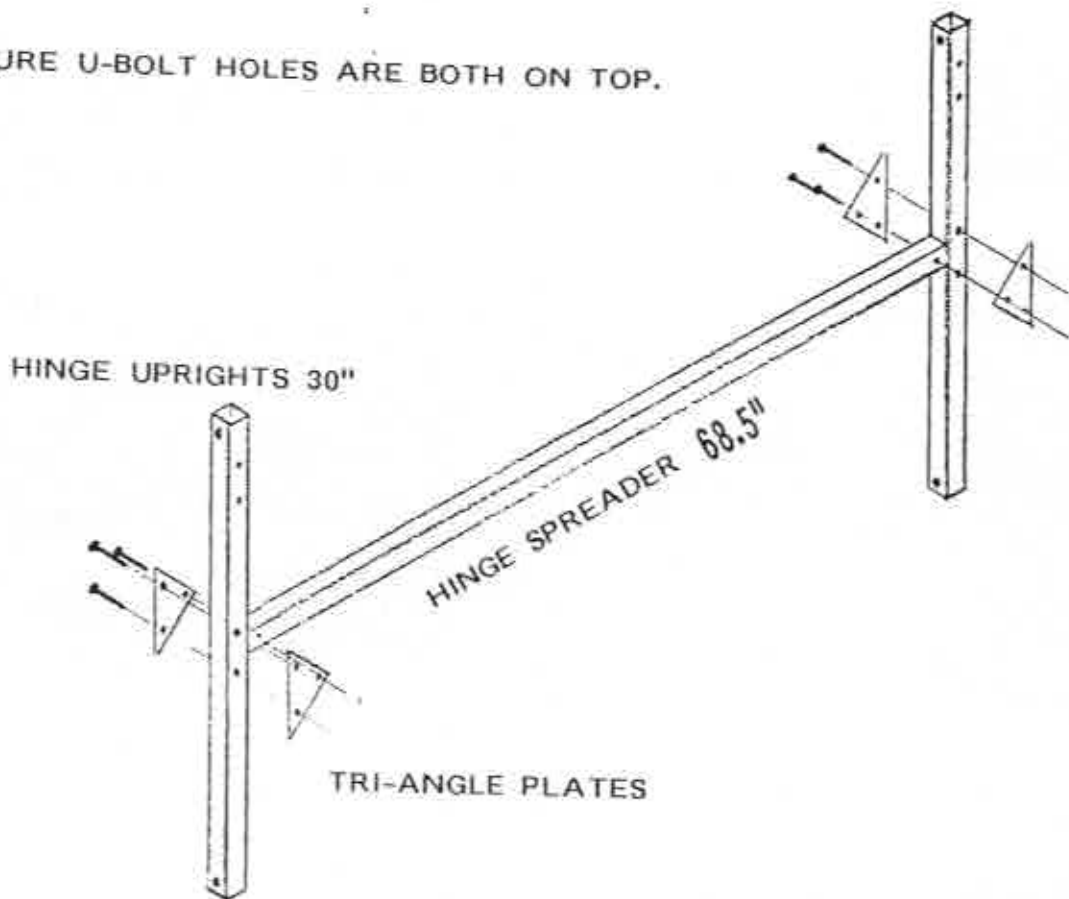


STEP 2

ASSEMBLE TWO HINGES. USE TWO: 30" HINGE LEGS; ONE: 68.5" HINGE SPREADER; FOUR: TRIANGLE PLATES; SIX: 3/8" X 2-1/4" HEX BOLTS AND SIX: 3/8" NUTS.

NOTE: BE SURE PULLEY HOLES ARE OFFSET IN THE SAME DIRECTION AS SHOWN IN DIAGRAM #2.

BE SURE U-BOLT HOLES ARE BOTH ON TOP.



STEP 3

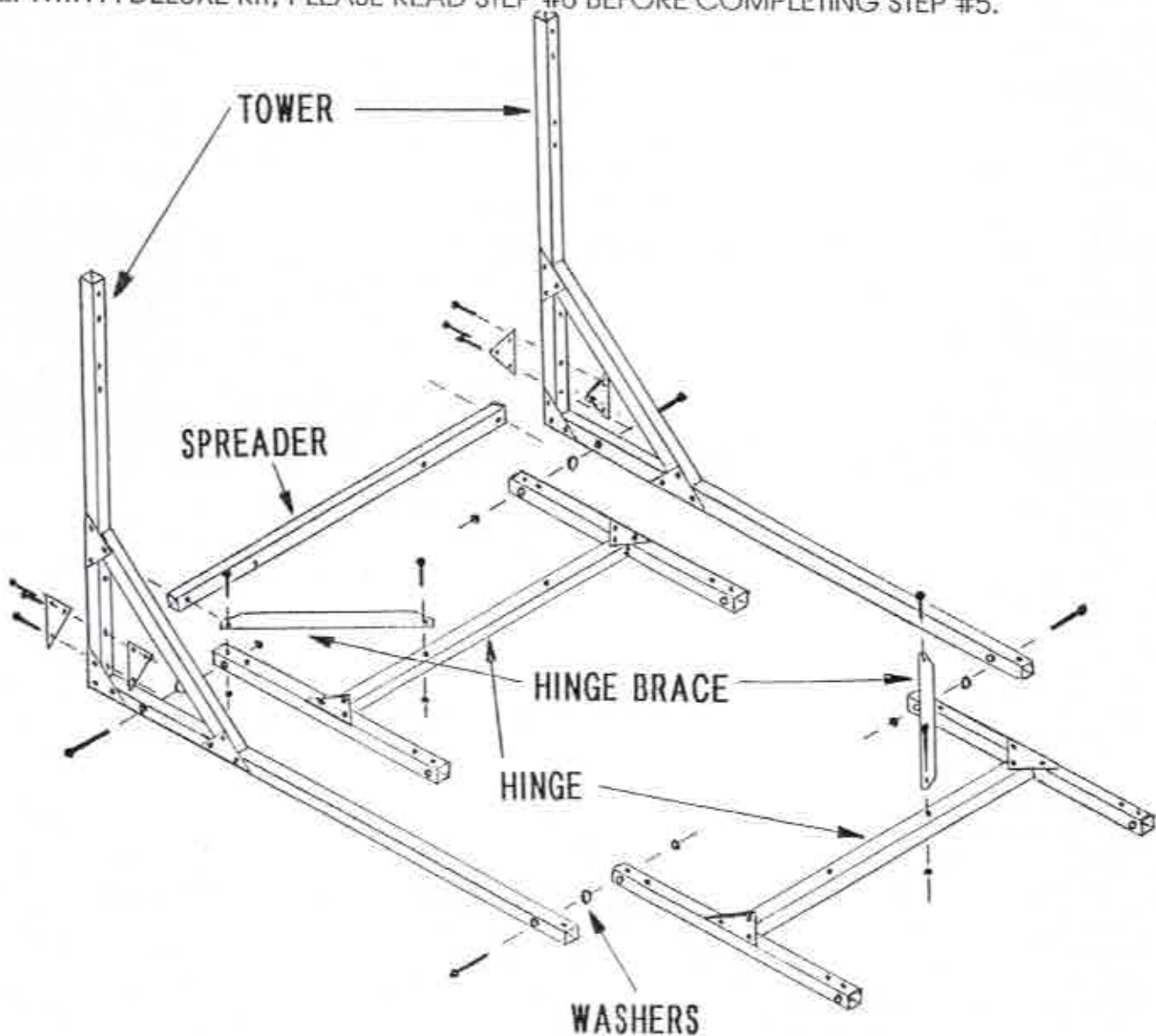
LAY OUT HINGES AND TOWERS AS SHOWN IN DIAGRAM #3. USE 1/2" X 4" HEX BOLTS, NYLON WASHERS AND 1/2" NUTS. MAKE SURE THAT THE PULLEY HOLES ON THE HINGES ARE IN THE CORRECT LOCATION.

STEP 4

INSTALL ONE SUPPORT BRACE FROM THE WINCH SIDE FRONT HINGE UPRIGHT TO THE HINGE SPREADER. ATTACH THIS SUPPORT BRACE FROM THE BOTTOM OF THE HINGE LEG UP TO THE HINGE SPREADER. INSTALL ONE SUPPORT BRACE IN THE OPPOSITE CORNER OF THE LIFT FROM THE REAR HINGE UPRIGHT TO THE HINGE SPREADER. ATTACH THIS SUPPORT BRACE FROM THE BOTTOM OF THE HINGE LEG UP TO THE HINGE SPREADER. USE 3/8 X 2-1/4" HEX BOLTS AND 3/8" NUTS FOR THIS ASSEMBLY.

STEP 5

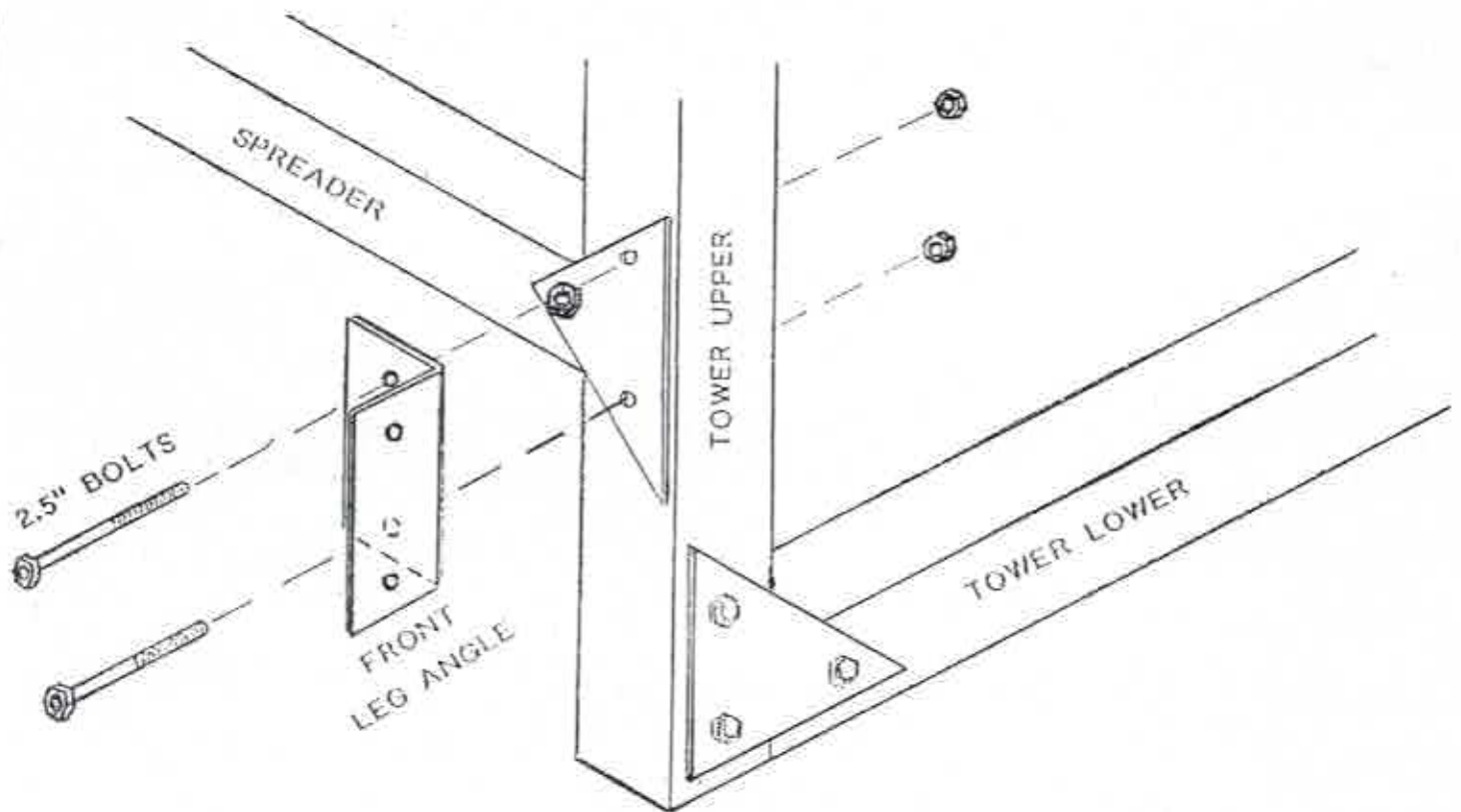
INSTALL FRONT SPREADER USING FOUR: TRIANGLE PLATES; ONE: 72" TUBE; SIX: 3/8" X 2-1/4" HEX BOLT AND SIX: 3/8" NUTS AS SHOWN IN DIAGRAM. NOTE: WITH A DELUXE KIT, PLEASE READ STEP #6 BEFORE COMPLETING STEP #5.



STEP 6

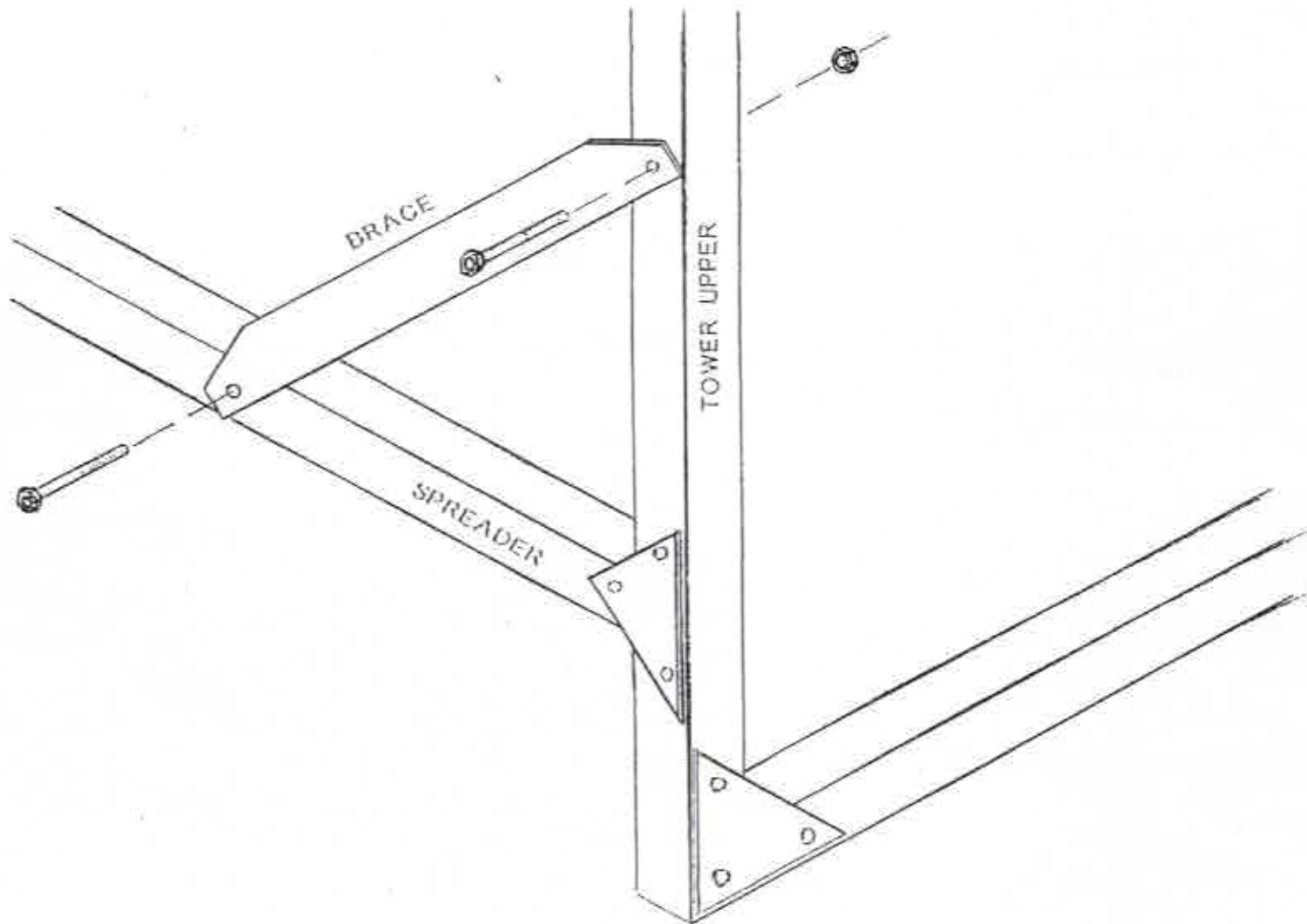
BOLT LEG BRACKETS ON WITH SPREADER TUBE SHOWN IN DIAGRAM. USE 2-1/2" HEX BOLTS IN PLACE OF 2-1/4" SUPPLIED IN LEG KIT.

USE ANGLE ONLY IF YOU HAVE LEGS.



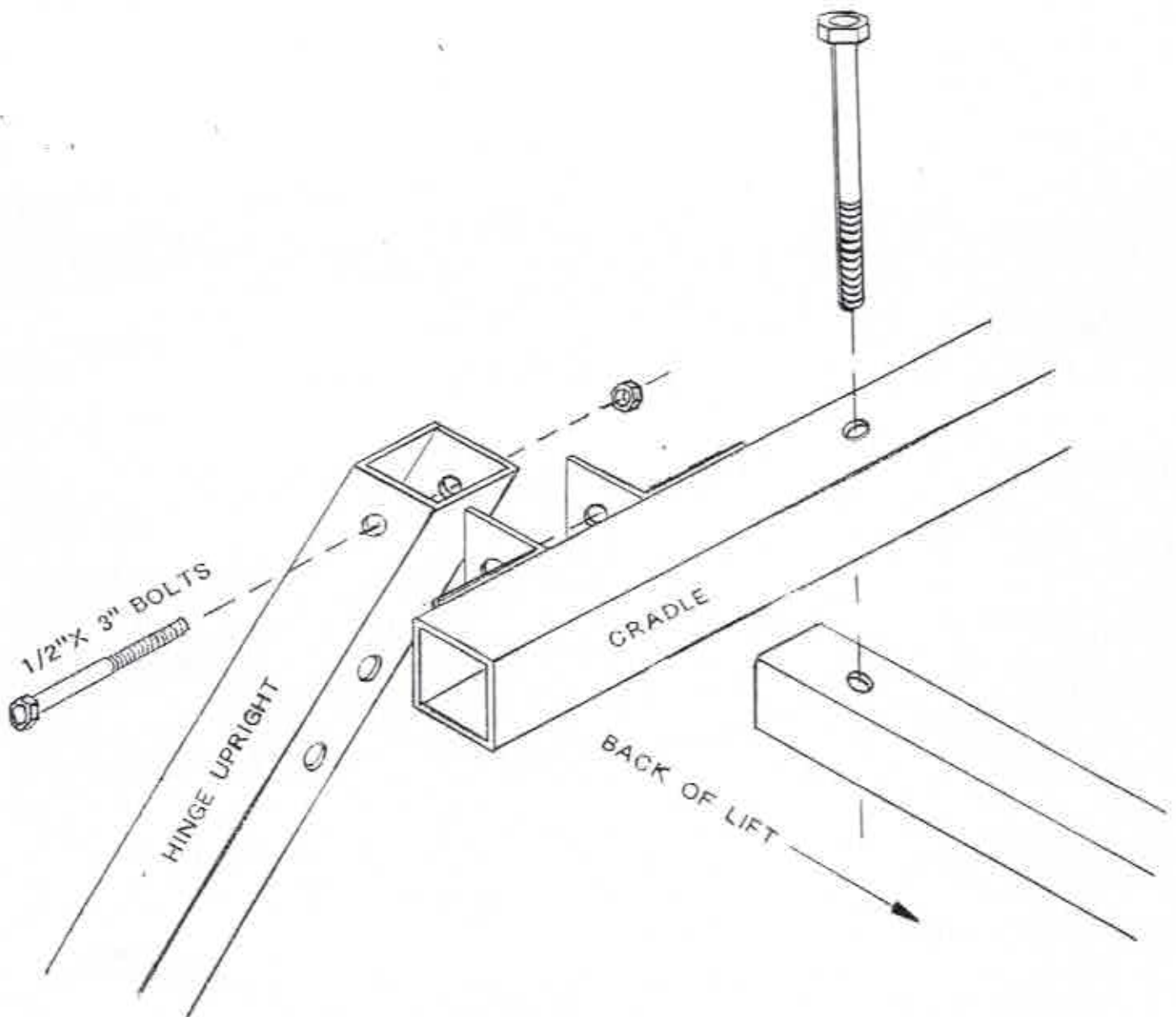
STEP 7

INSTALL TOWER BRACE TO THE UPPER TOWER TUBE AND FRONT SPREADER USING 3/8" X 2-1/4" HEX BOLTS THROUGH THE TOWER TUBE AND SPREADER.



STEP 8

INSTALL FRONT AND REAR CRADLES TO HINGES AS SHOWN IN THE DIAGRAM USING 1/2" X 3" HEX BOLTS.



ATTACH CRADLE SPREADER TO CRADLES USING 3/8 X 3-12" HEX BOLT.

STEP 9

INSTALL THE WINCH TO THE TOWER. WINCH WILL INSTALL ON EITHER SIDE OF THE LIFT. MAKE SURE THAT THE WINCH HANDLE OR WHEEL SHAFT IS TO THE OUTSIDE OF THE LIFT.

STEP 10

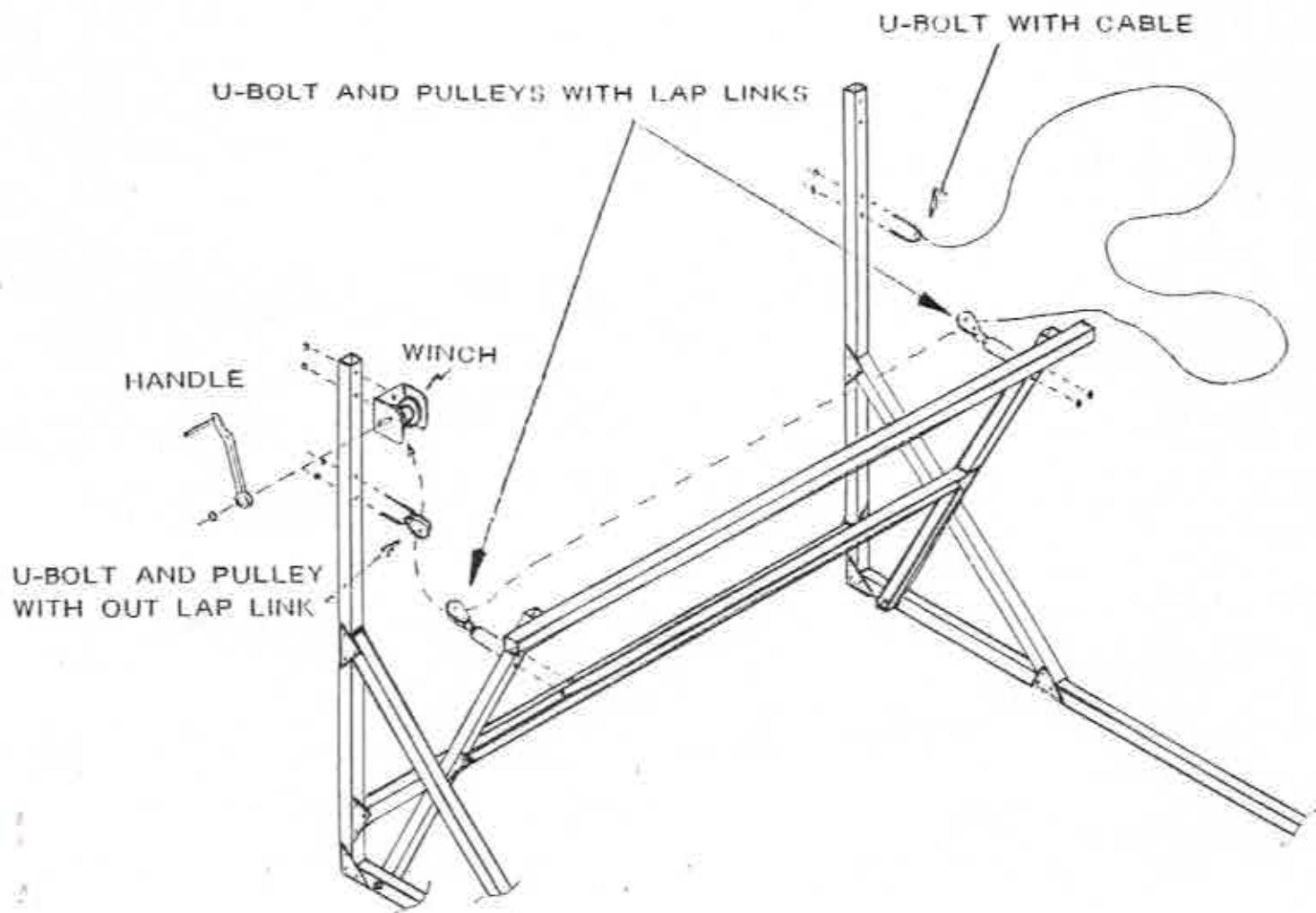
INSTALL WINCH HANDLE AS SHOWN IN DIAGRAM. IN THE CASE OF A DELUXE KIT, INSTALL THE WHEEL.

STEP 11

INSTALL TWO PULLEYS WITH LAP LINKS TO THE FRONT HINGE LEGS. INSTALL ONE PULLEY WITH OUT LAP LINK BELOW THE WINCH.

STEP 12

TO INSTALL THE CABLE, PUT EYE-LOOP ON THE U-BOLT. INSTALL U-BOLT TO OPPOSITE TOWER OF WINCH. RUN CABLE AS SHOWN IN DIAGRAM. ATTACH CABLE TO WINCH USING CABLE KEEPERS.

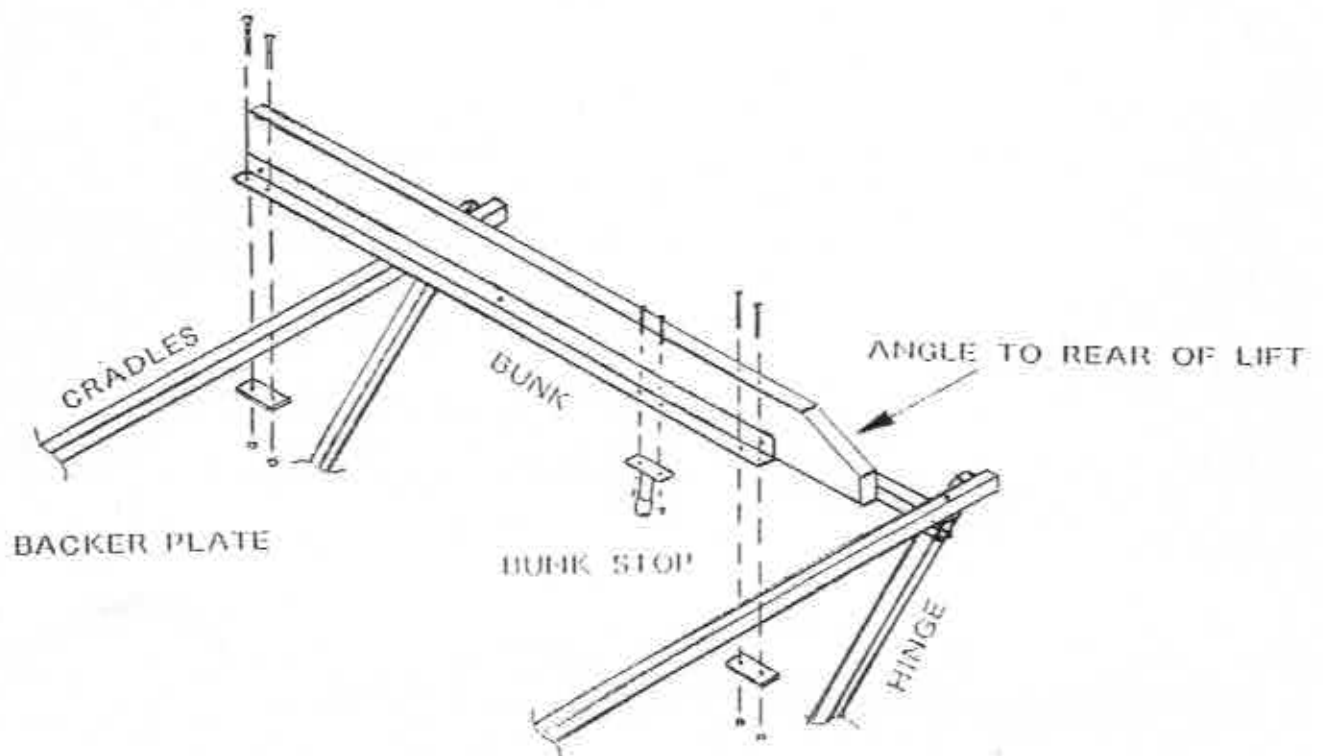


STEP 13

INSTALL CAPS IN TOWERS, CRADLES and HINGES.

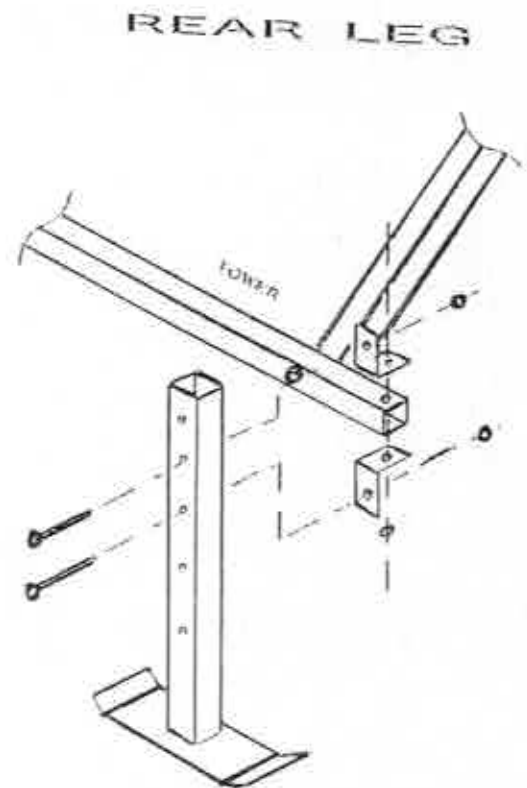
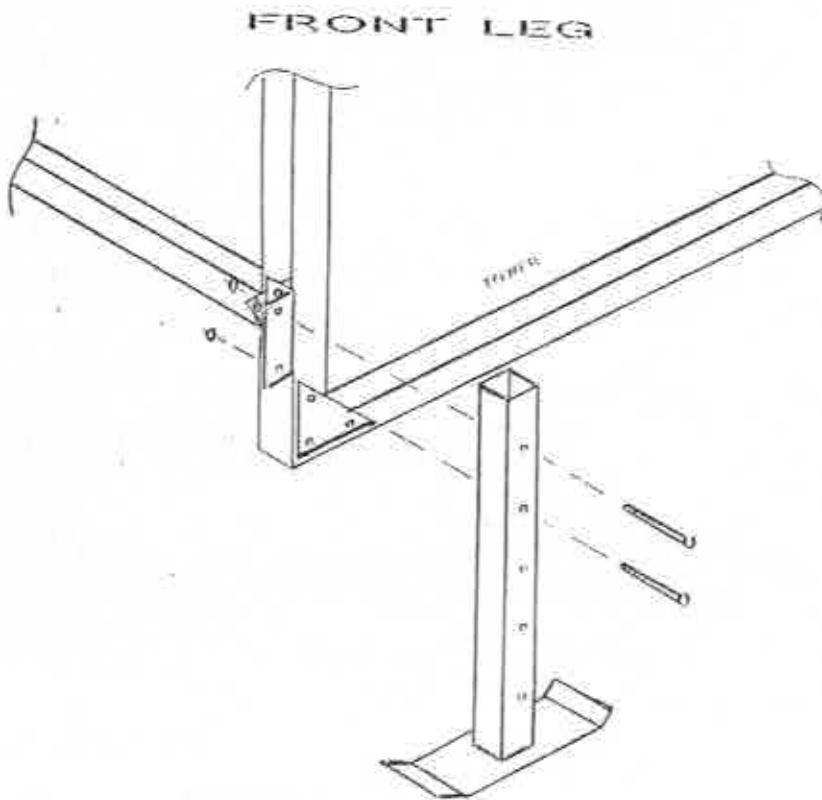
STEP 14

MOUNT BUNKS AS SHOWN IN DIAGRAM.



STEP 15

DELUXE KIT: MOUNT LEGS AS SHOWN IN DIAGRAM.



STEP 16

TEST WINCH BEFORE USE IN THE WATER. MAKE SURE WINCH CLICKS WHEN CRANKING CARRIAGE UP (CLOCKWISE MOTION). IF WINCH DOES NOT CLICK, REFER TO THE NEXT PAGE.