

ASSEMBLY INSTRUCTIONS

STARR INDUSTRIES

2002

The lift may be placed on either side of your dock as shown in Illustration A. The winch is mounted onto Tower A.

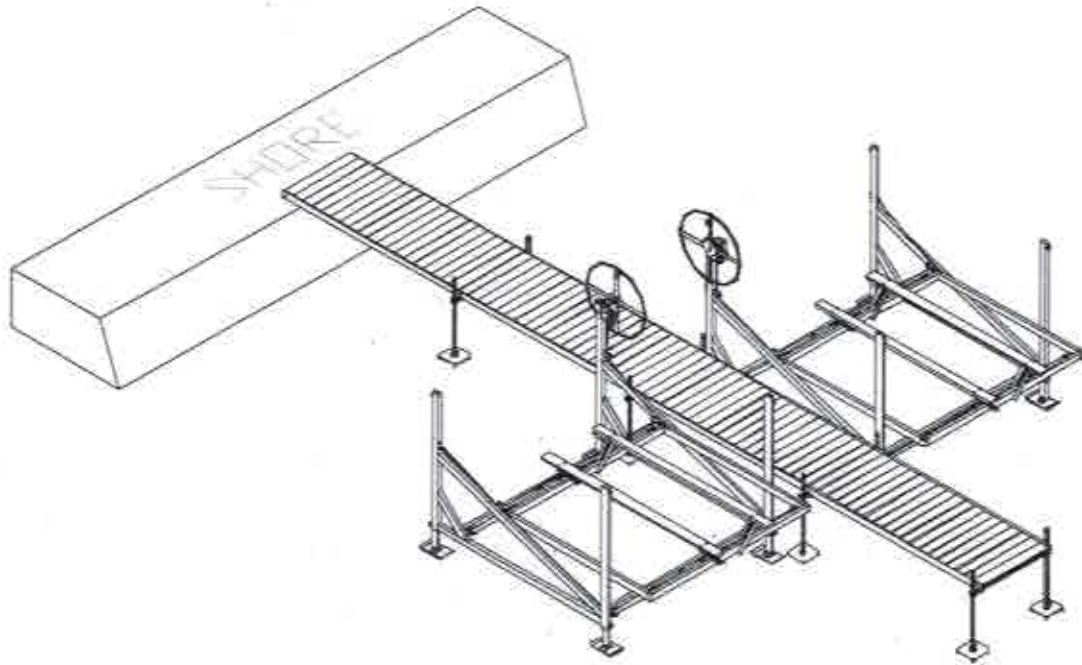


Illustration A
Lift/Dock Placement Options

BL25110C

Step #1

Hardware used in this step:

- (12) 1/2"x 1 1/2" Hex bolts
- (12) 1/2" Lock nuts
- (4) 1/2"x 3 1/2" Hex Bolts
- (4) 1/2" Lock washers

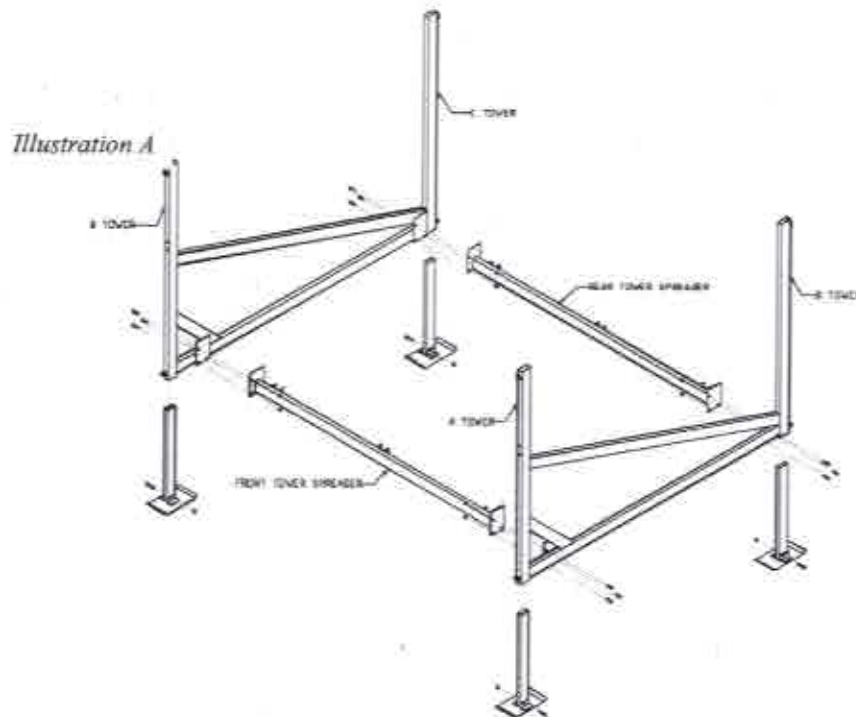
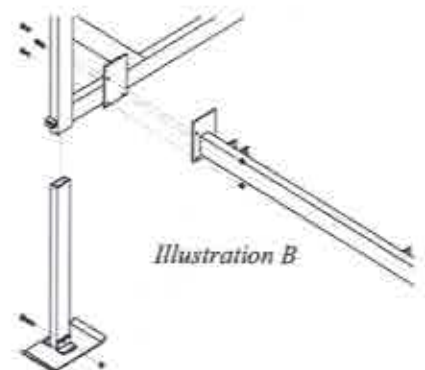


Illustration A & B- Mounting the Tower Spreaders

- 1- Position both tower A & B assemblies on the ground as shown in *Illustration A*.
- 2- Position the Tower Spreaders so that the holes in the plates match.
- 3- Using the 1/2"x 1 1/2" Hex Bolts, fasten the Tower Spreaders to the tower assemblies with 1/2" Lock nuts.
- 4- Using the 1/2"x 3 1/2" Hex bolts and Locknuts, attach foot-pad to leg and insert into each tower. Tight down with the Leg Nut Holder to desired location.
- 5- See *Illustration B* for a closer view



Step #2

Hardware used in this step:

- (12) 1/2" x 4 3/4" Hex Bolts
- (12) 1/2" Flat washers
- (12) 1/2" Locknuts
- (12) Plastic Spacers
- (8) 3/8" Flat washers
- (8) 3/8" Lock nuts
- (8) 3/8" x 3 1/2" Hex Bolts

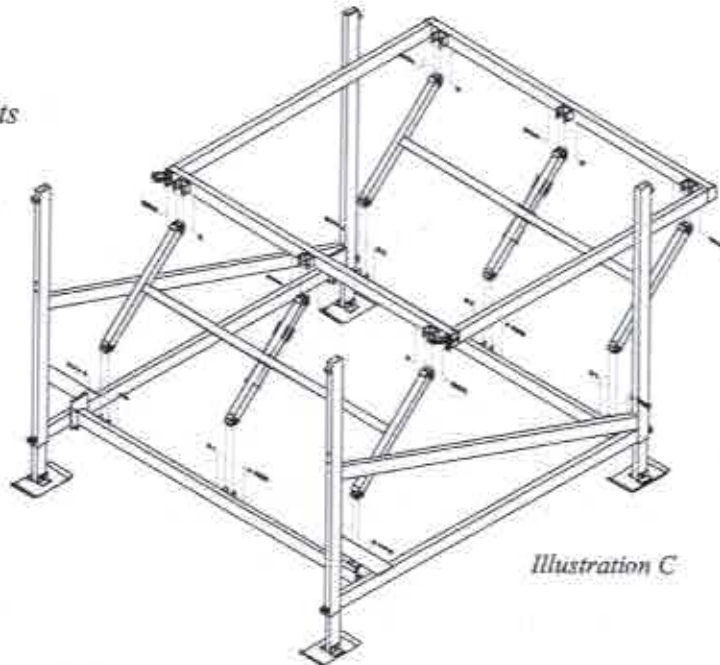


Illustration C

Illustration C & D- Mounting the Hinges

- 1- Place hinges inside towers to match up with the hinge brackets as shown in *Illustration C*.
- 2- Using the 1/2" x 3 1/2" Hex Bolts, 1/2" Flat washers, and 1/2" Lock nuts, attach the hinges as shown.
- 3- *Illustration D* shows a closer view



Illustration D

Step #3

Hardware used in this step:

- (5) 3/8" x 1 1/2" Hex Bolt S.S.
- (9) 3/8" Locknuts S.S.
- (13) 3/8" Flat washers
- (2) 3/8" x 2 1/4" Hex Bolt S.S.
- (2) 3/8" x 4 1/4" Hex Bolt S.S.
- (1) 5/16" x 1 1/4" Hex Bolt S.S.
- (1) 5/16" Flat washer
- (1) 3/4" x 5/8" x 7/8" Bushing
- (1) Spring
- (1) 1/2" Flat washer

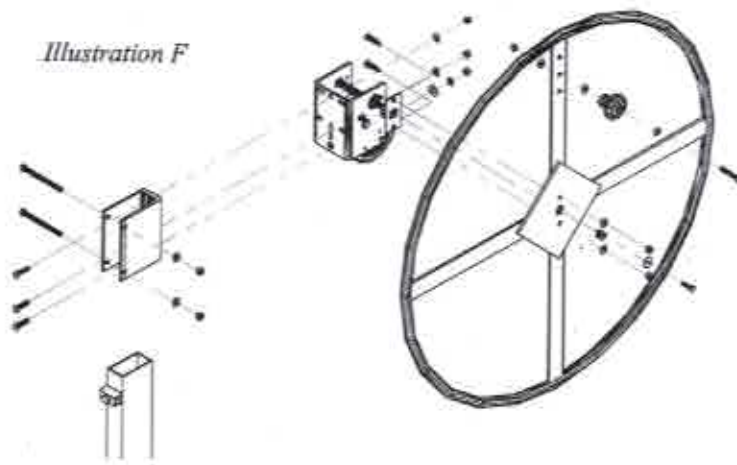
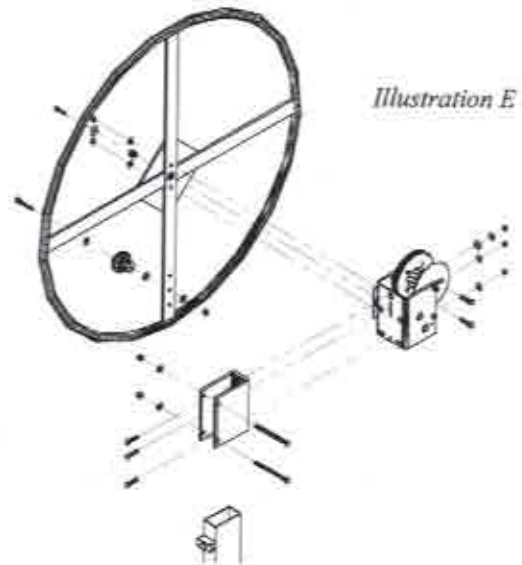


Illustration E & F – Winch/Handwheel Mounting

- 1- Refer to Illustration E & F. Clamp winch to Tower A. Mount the winch such that any optional canopy cover will not interfere with removing and replacing the winch cover.
- 2- Attach the handwheel to the winch adapter plate.
- 3- Attach the spinner knob to the handwheel using the preassembled hardware. Select the hole that is most comfortable for lowering the lift. **NOTE:** Leave this bolt slightly loose so spinner knob will spin.

CAUTION!!!

DO NOT USE THE KNOB FOR LIFTING THE BOAT. THIS CAN CAUSE EQUIPMENT DAMAGE.

Step #4

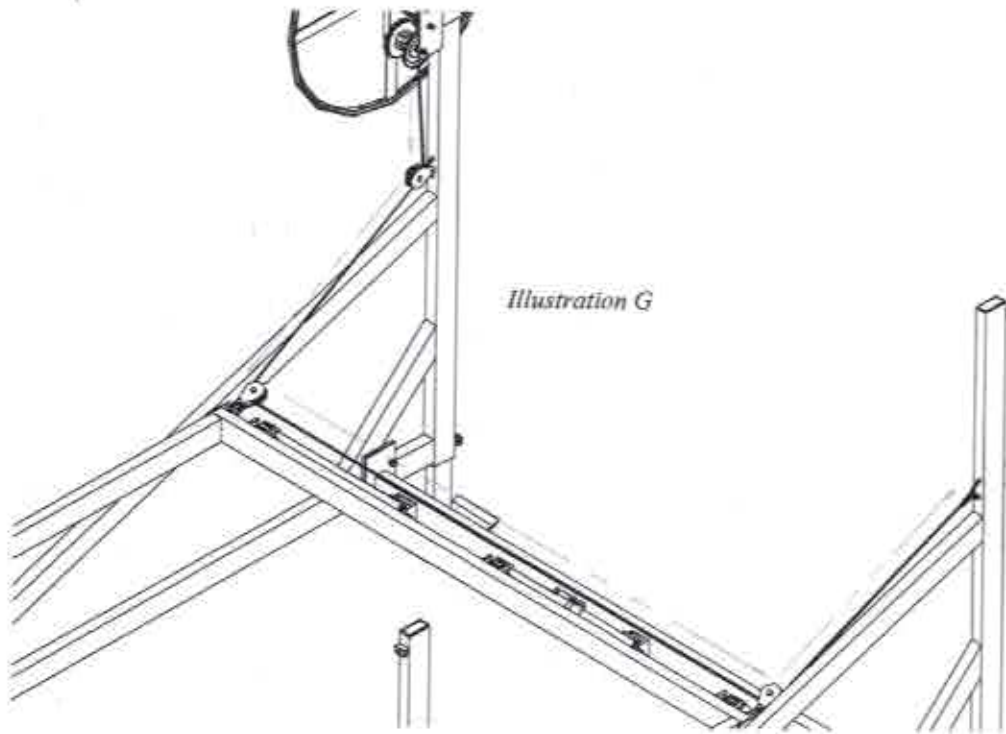
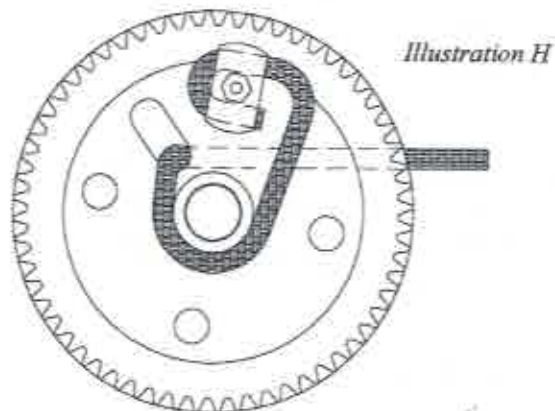


Illustration G & H- Winch Mounting and Cable Attachment

Position winch so that the cable approaches from reel end as shown below. Attach cable by method shown in the sketch.



Step #5

Hardware used in this step:

- (12) 1/2"x 3 1/4" Hex bolt
- (12) 1/2" Flat washers
- (12) 1/2" Hex nuts
- (12) 1/2" Lock washers

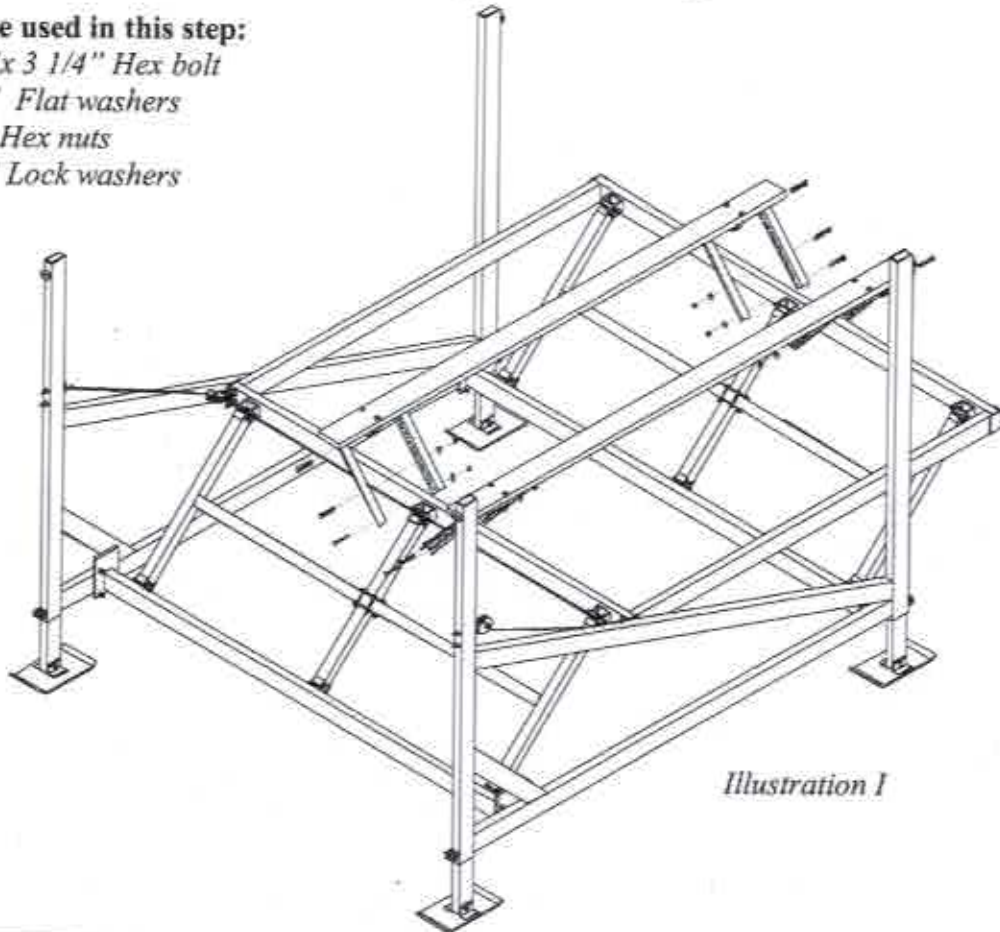


Illustration I

Illustration I & J- Bunk Mounting

- 1- Refer to Illustration I & J. Mount bunk angles to the bunk brackets and cradle tubes using (12) 1/2"x 3 1/4" Hex bolt S.S. with lock washers and hex nuts.
- 2- Move center bolt on bunk to desired position & adjust to fit watercraft. Hint: You may use your watercraft trailer for a point of reference for bunk adjustment.
- 3- See Illustration I for a closer view.

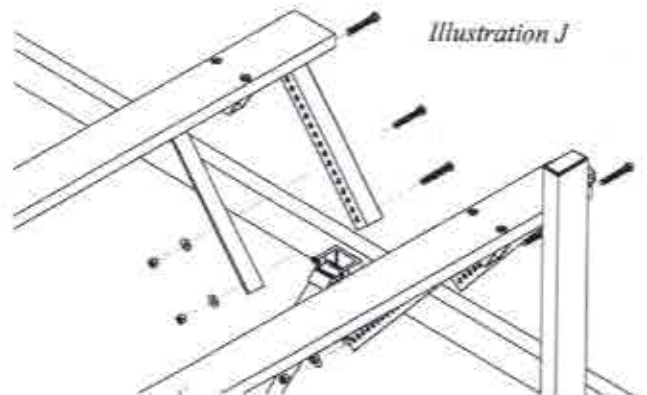


Illustration J

CAUTION!!!

DO NOT USE THE KNOB FOR LIFTING THE BOAT. THIS CAN CAUSE EQUIPMENT DAMAGE.

Step #6

Caps used in this step:
(4) 2x4 Plastic end caps

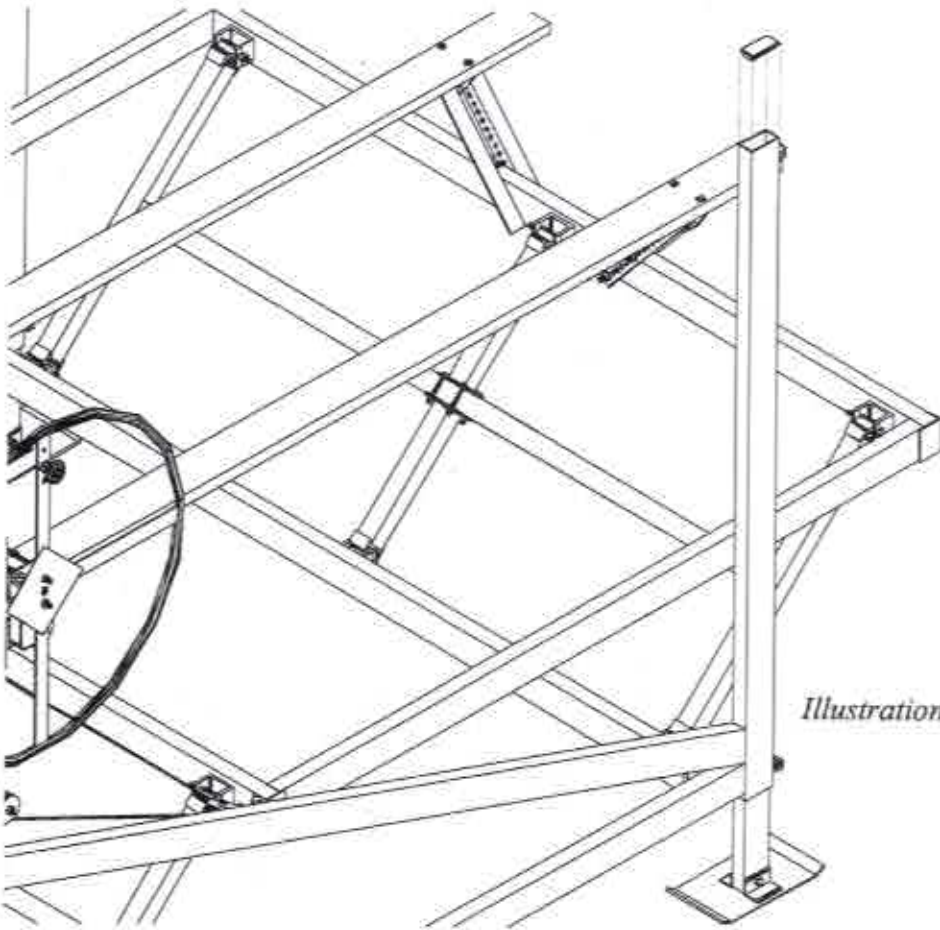


Illustration K– Inserting the End Caps

- 1- Insert 2x4 plastic end caps into Tower tube ends.
- 2- See Illustration K for details.

Illustration K

Enjoy your Watercraft Lift