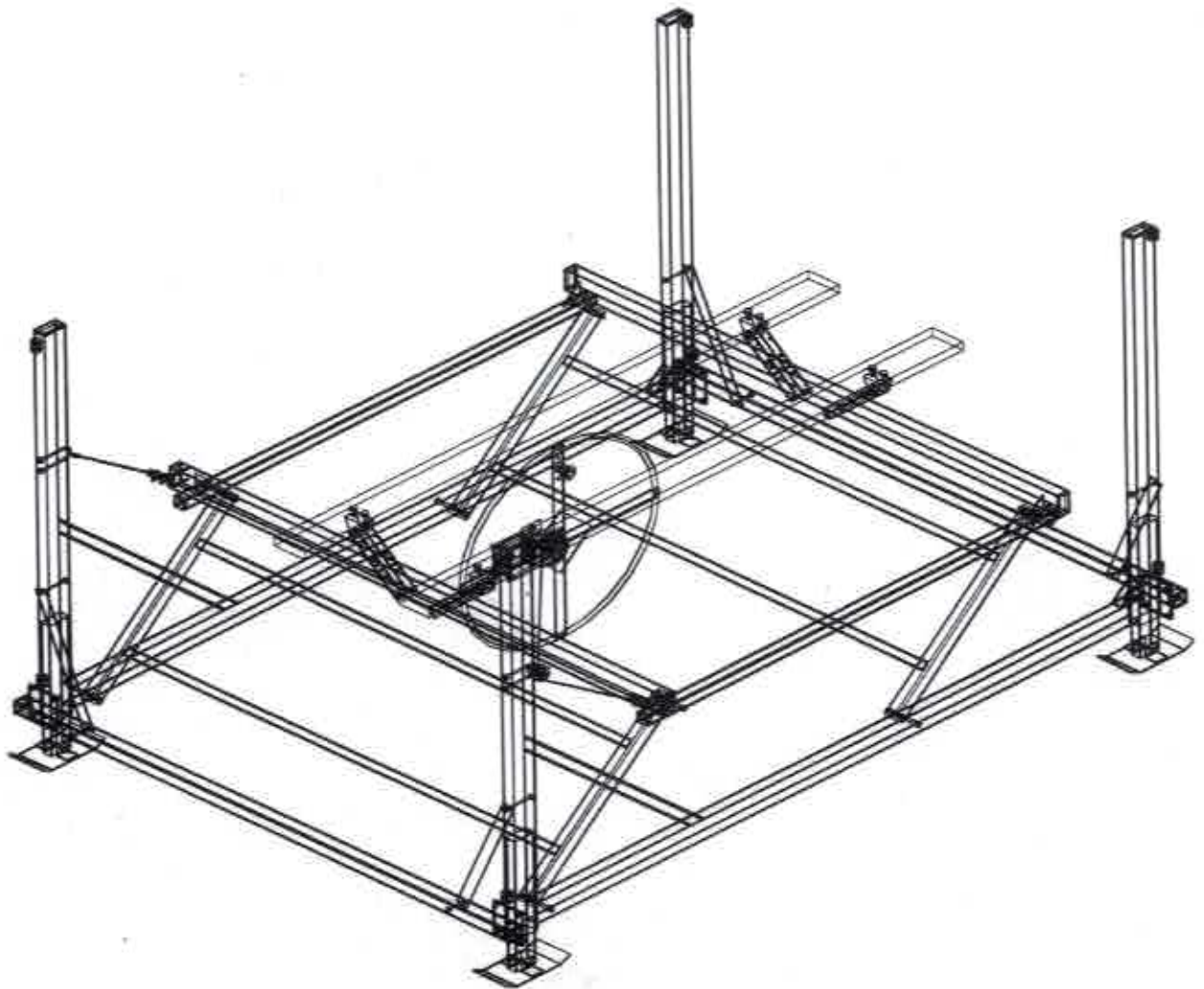


STARR INDUSTRIES
ASSEMBLY INSTRUCTIONS
2003



BL1580C

Step #1

Hardware used in this step:

(16) 3/8"x 1" Hex bolts yz

(16) 3/8" Nylon lock nuts

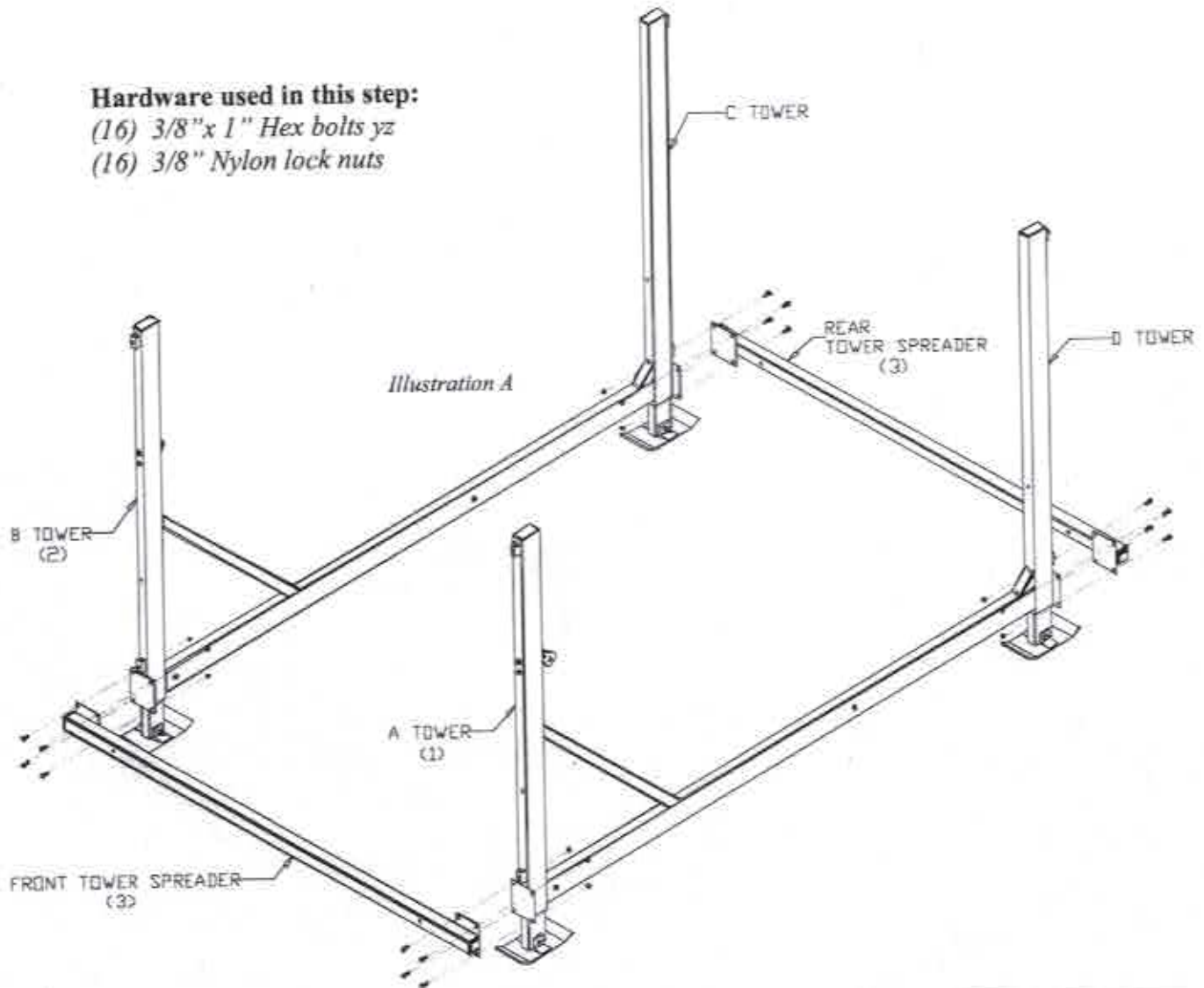
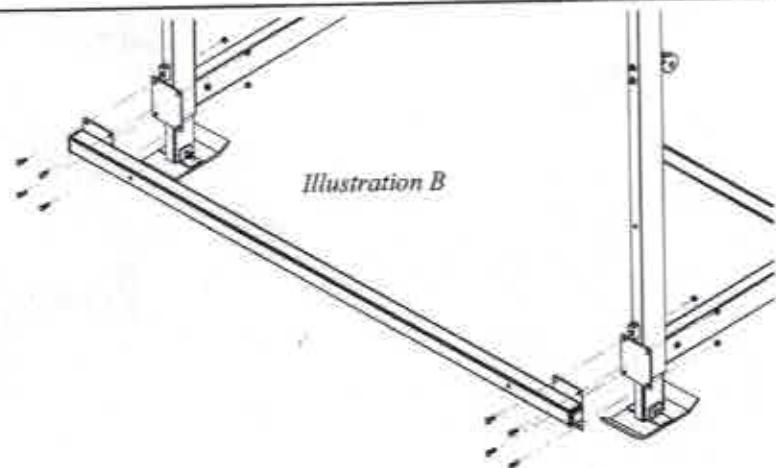


Illustration A & B- Attaching Front and Rear Tower Spreaders

- 1- Place Welded Tower (side frames) upright approximately 56" apart.
- 2- Attach Front and Rear Spreaders using 3/8"x 1" Hex Bolts yz & Nylon locknuts yz.

DO NOT TIGHTEN BOLTS!!!- This will be completed in a later step.



Step #2

Hardware used in this step:

(8) 3/8" x 3 1/2" Hex Bolts yz

(8) 3/8" Flat Washers

(8) 3/8" Nylon lock nuts

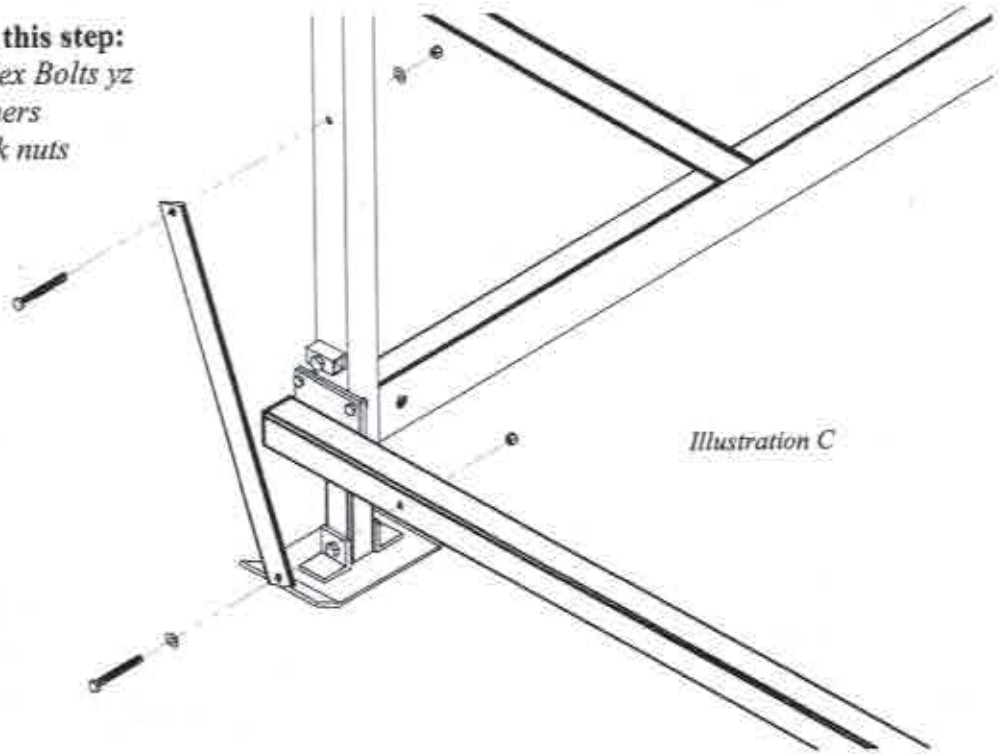
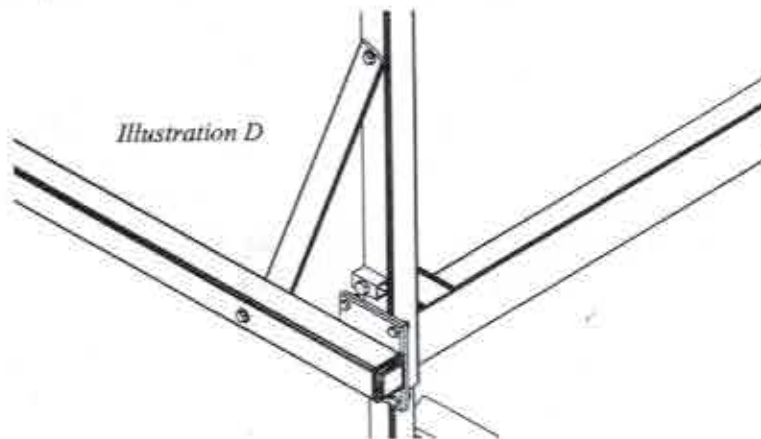


Illustration C & D: Attaching Tower Braces.

- 1- Attach diagonal brace using 3/8" x 3 1/2" hex bolts with flat washers and nylon lock nuts. (See Illustration D to attach diagonal brace correctly)
- 2- Repeat step at each corner. (**DO NOT TIGHTEN BOLTS**— This will be completed in a later step.)



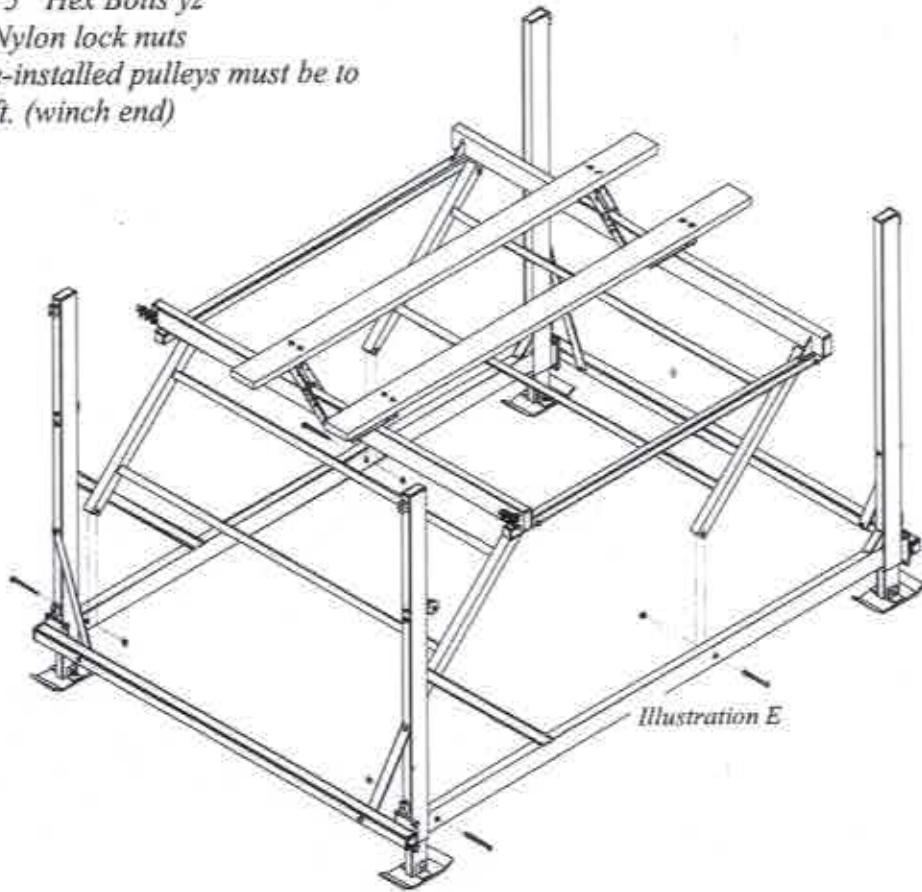
Step #3

Hardware used in this step:

(4) 1/2" x 5" Hex Bolts yz

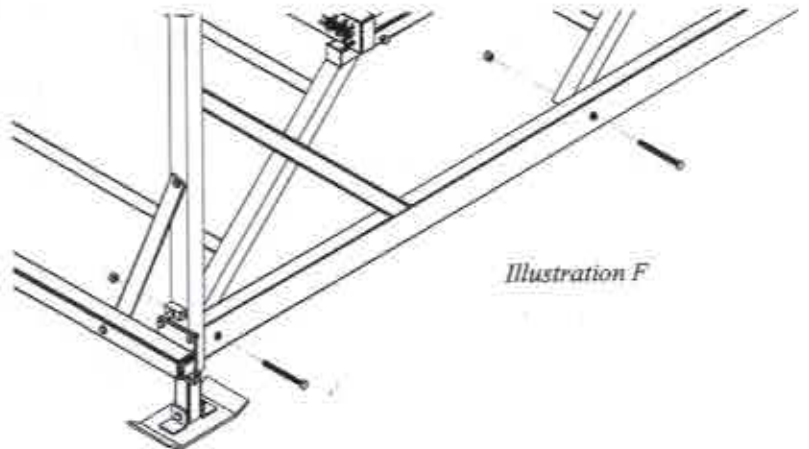
(4) 1/2" Nylon lock nuts

Note: Pre-installed pulleys must be to front of lift. (winch end)



Illustrations E & F: Mounting the Cradle

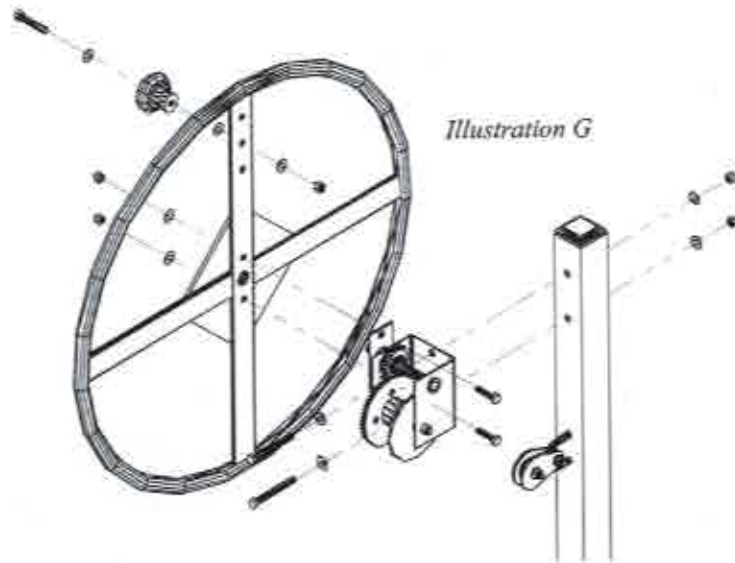
- 1- Bolts to be inserted through tube (bolt may need to be tapped through tube with a rubber mallet)
- 2- Put Nylock nut on end of bolt (**NOTE: DO NOT TIGHTEN NUT COMPLETELY**) Nut should be tightened enough to ensure Nylock patch is engaged. Cradle must be able to move freely.
- 3- Tighten all other bolts already inserted in steps 1 & 2.



Step #4

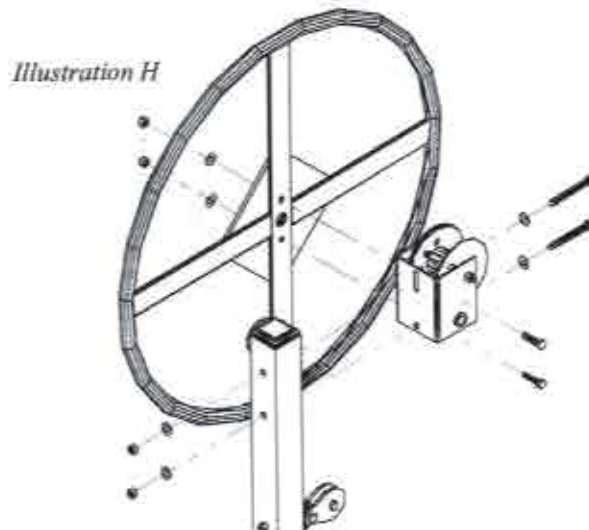
Hardware used in this step:

- (2) 3/8" x 3 1/2" Hex Bolt yz
- (6) 3/8" Flat Washers
- (4) 3/8" Nylon lock nut
- (2) 3/8" x 1 1/4" Hex Bolt yz
- (1) 7/16" Locknut (keeper pack)
- (1) Winch Spring (keeper pack)



Illustrations G, H- Mounting Winch to Tower

- 1- Mount winch to tower using 3/8" x 3 1/2" Hex Bolt yz with washers & Nylon lock nuts.
- 2- To mount winch on other side of lift see *Illustration H*.
- 3- Install the spinner knob to the wheel using a 3/8" x 2 1/2" bolt, washers, and 3/8" locknut.
- 4- Crank the Wheel onto the Winch by rotating the Hub around the threaded shaft. Put Spring over shaft and tighten down with locknut
- 5- See *Illustration I* for diagram to attach cable.



Step #5

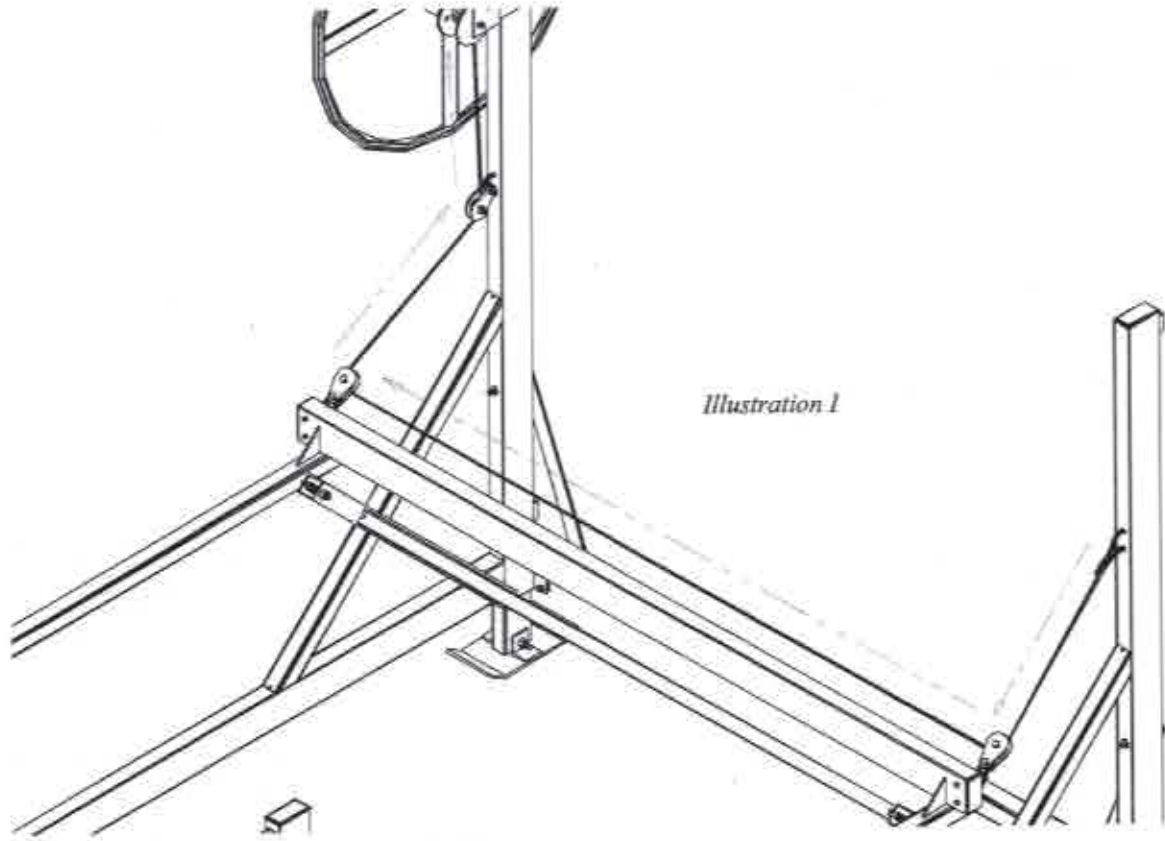
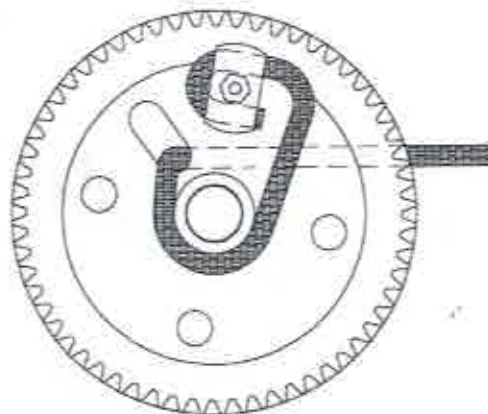


Illustration I

Illustration I & J- Winch Mounting and Cable Adjustment

- 1- Under the Winch, install a Pulley without a Lap Link.
- 2- Install the Cable to the Tower opposite the Winch. Use a 3/8" x 5" U-Bolt.
- 3- Position winch so that the cable approaches from reel end as shown below. Attach cable by method shown in the sketch.

Illustration J



Step #6

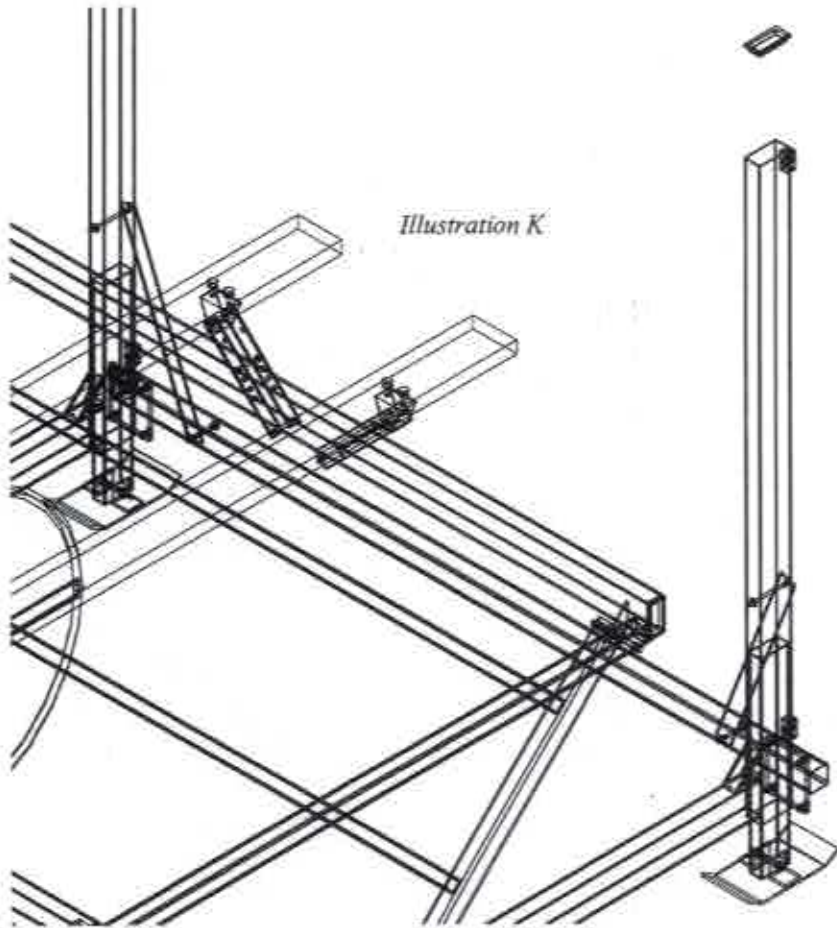


Illustration K

Caps used in this step:

- (8) 2 3/8" black plastic caps
- (4) 2" x 4" plastic caps

Illustration K & L- Inserting Plastic Caps.

- 1- Insert 2 3/8" plastic caps into tower tubes and front and rear spreader ends (see Illustration K)
- 2- Insert 2" x 4" plastic caps into ends of front and rear cradle (see Illustration L)

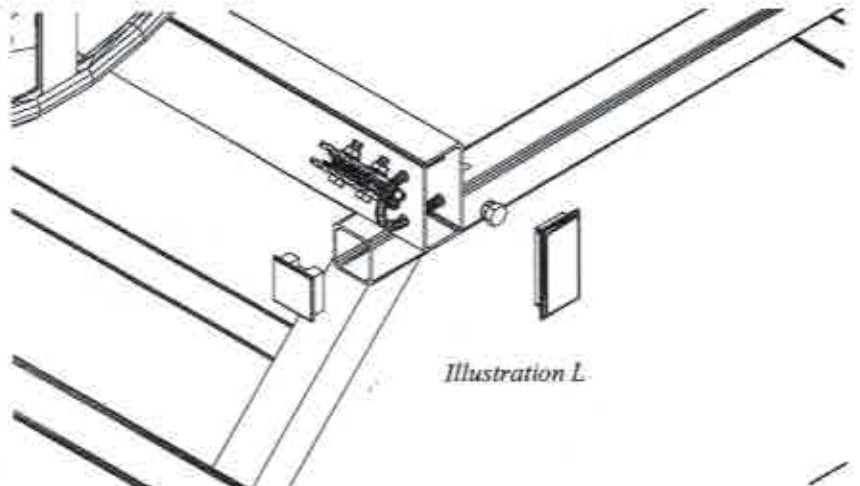


Illustration L

Step #7

Hardware used in this step:

(12) 3/8"x 3 1/4" Hex Bolts yz

(24) 3/8" Flat Washers yz

(12) 3/8" Nylon lock nuts

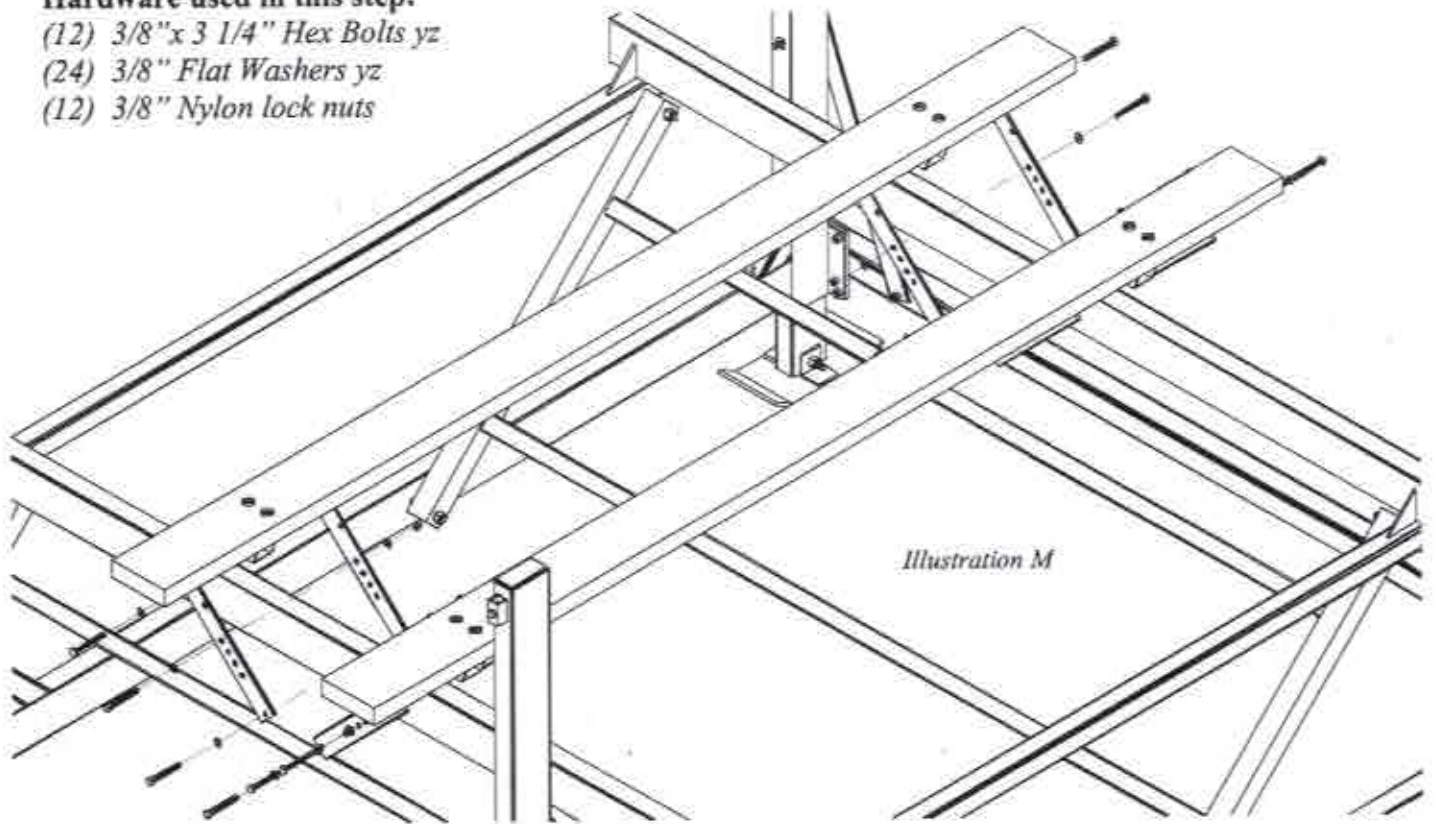
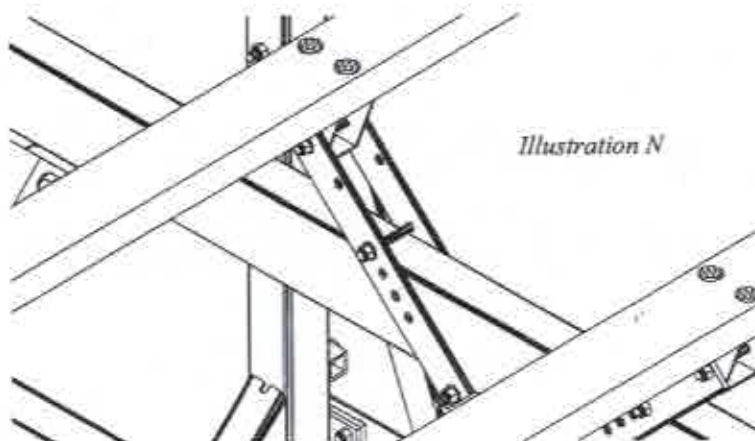


Illustration M & N- Mounting the Bunks to the Cradle

- 1- Mount the bunks to the cradle using 3/8"x 3 1/4" Hex Bolts yz with washers and lock nuts.
- 2- Tighten down in desired placement. (see *Illustration N* for finished view.)



Step #8

Hardware used in this step:

(4) 1/2"x 5 1/4" Hex Bolts yz

(4) 1/2" Nylon Lock nuts

Illustration O

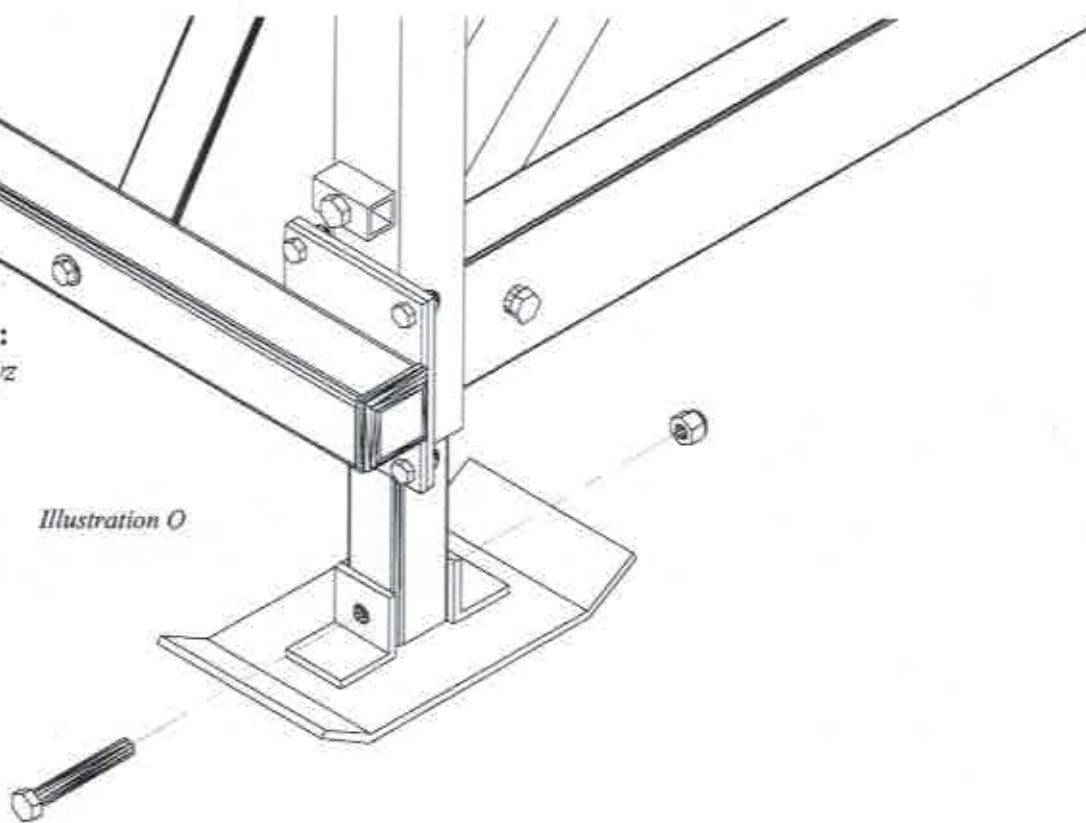


Illustration O– Leg Adjustment

- 1- Use 1/2"x 5 1/4" hex bolt and 1/2" Nylon locknut to attach footpad to the leg as shown above.
- 2- Loosen self-securing jam bolt and adjust leg to desired location and re-tighten. Note: never adjust legs with watercraft on lift.

Enjoy your Watercraft Lift