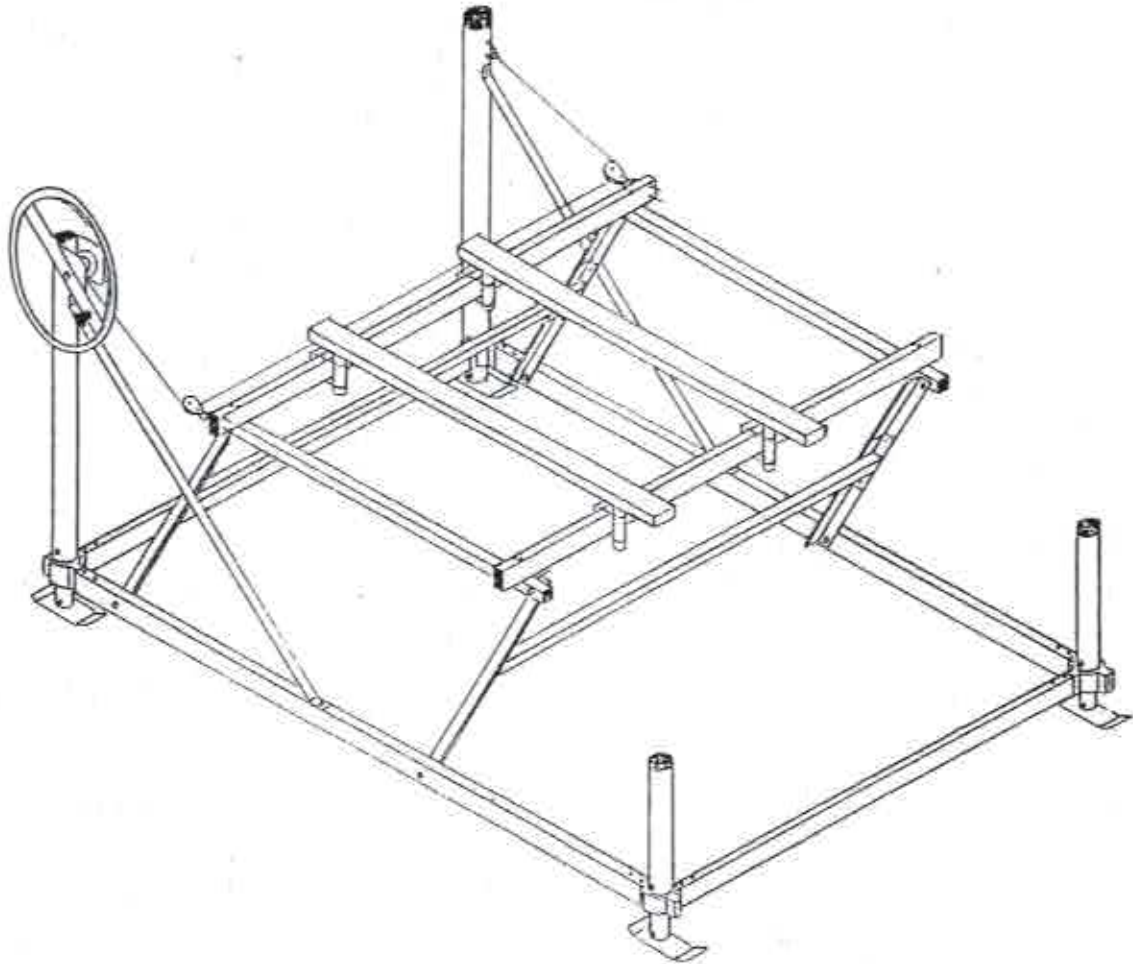


STAR

INDUSTRIES INC.



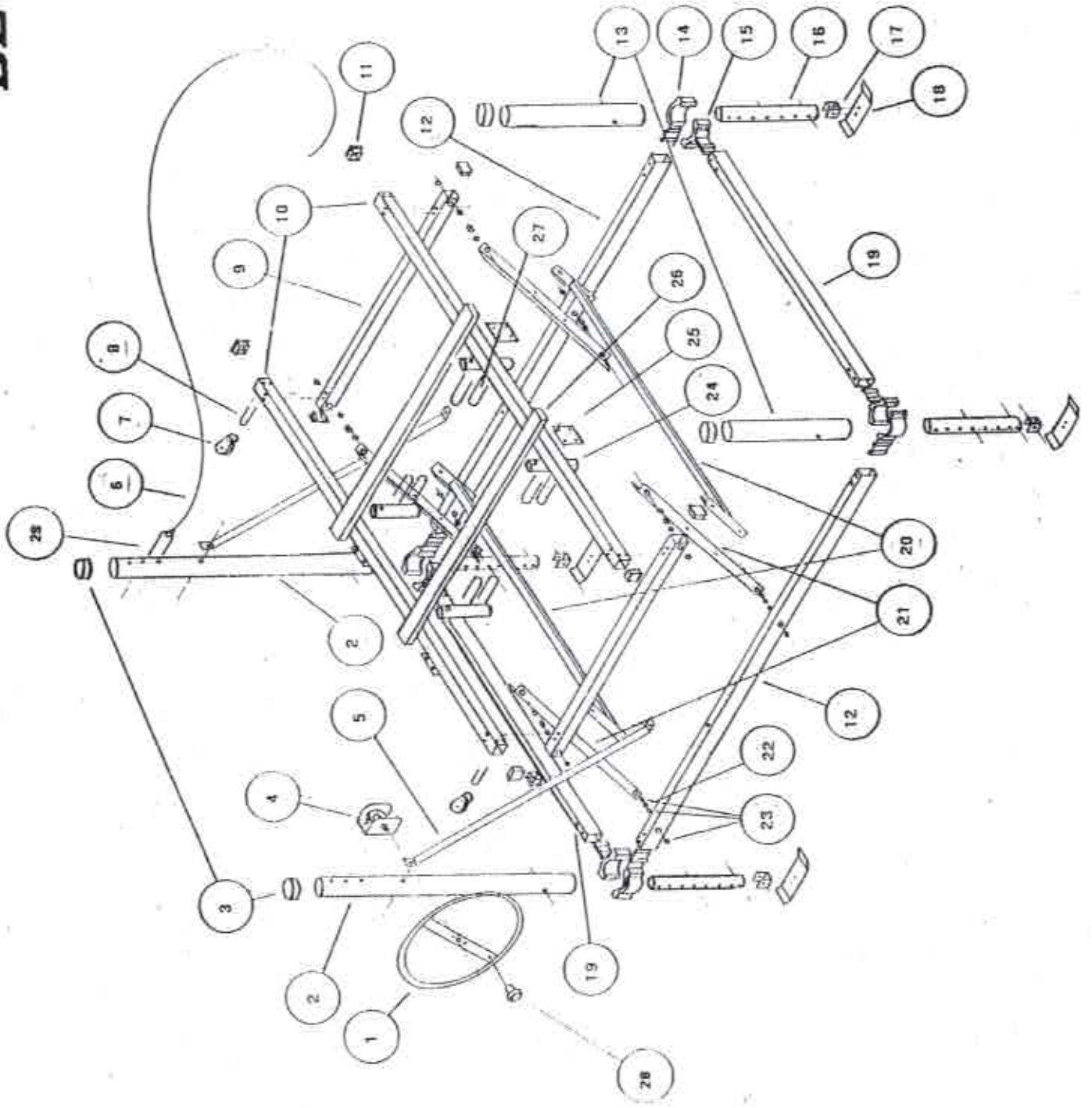
BL10

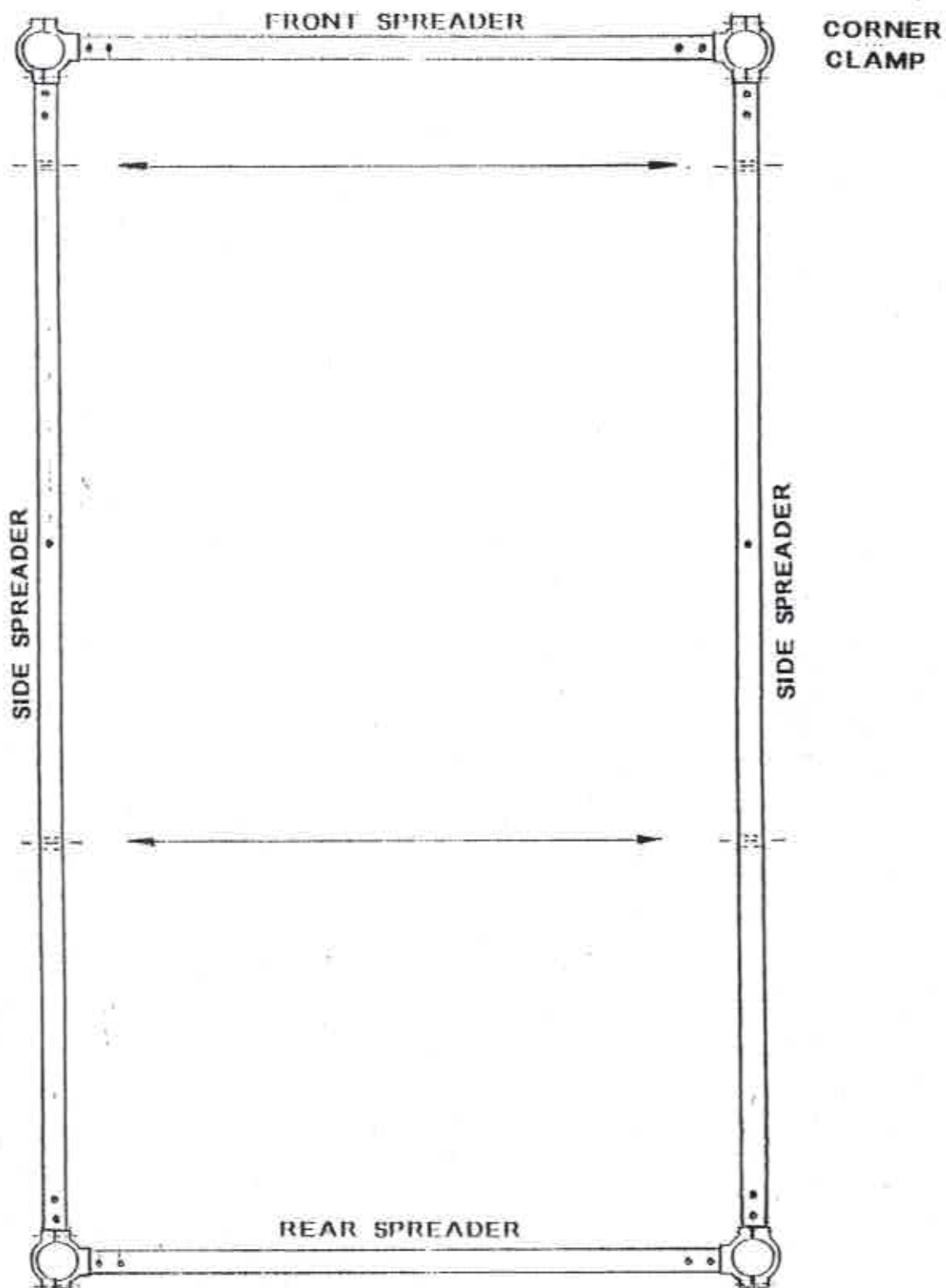
72" WIDTH
1,000# CAPACITY
SMALL BOAT LIFT

ASSEMBLY INSTRUCTIONS

<u>Item#</u>	<u>Part #</u>	<u>Discription</u>
1	BL10S1	24" WHEEL
2	BL10D6	FRONT TOWER
3	BL10D20	3-1/2" BLACK CAP
4	BL10D25	BRAKE WINCH (NEED MANUFACTURE MODLE AND PART NUMBER)
5	BL10D12	TOWER BRACE
6	BL10S5	CABLE
7	BL10S7	SMALL PULLEY
8	BL10D23	CRADLE U-BOLT
9	BL10D3	CRADLE SPREADER
10	BL10D4	FRONT & REAR CRADLE
11	BL10D31	1-3/4x3 BLACK CAP
12	BL10D1	SIDE SPREADER
13	BL10D7	REAR TOWER
14	BL10D13	CLAMP A
15	BL10D14	CLAMP B
16	BL10D8	LEG
17	BL10D9	FOOT PAD U-CHANNEL
18	BL10D10	FOOT PAD
19	BL10D2	FRONT & REAR SPREADER
20	BL10S2	HINGE SPREADER
21	BL10D5	HINGE ANGLE
22	BL10D30	BUSHING
23	BL10D21	FLANGE BUSHING
24	BL10D11	BUNK TUBE
25	BL10D29	BUNK BACKER PLATE
26	BL10S1	BUNK
27	BL10D28	BUNK U-BOLT
28	BL10S6	KNOB
29	BL10D22	TOWER U-BOLT
30	BL10D19	2x2 BLACK CAP

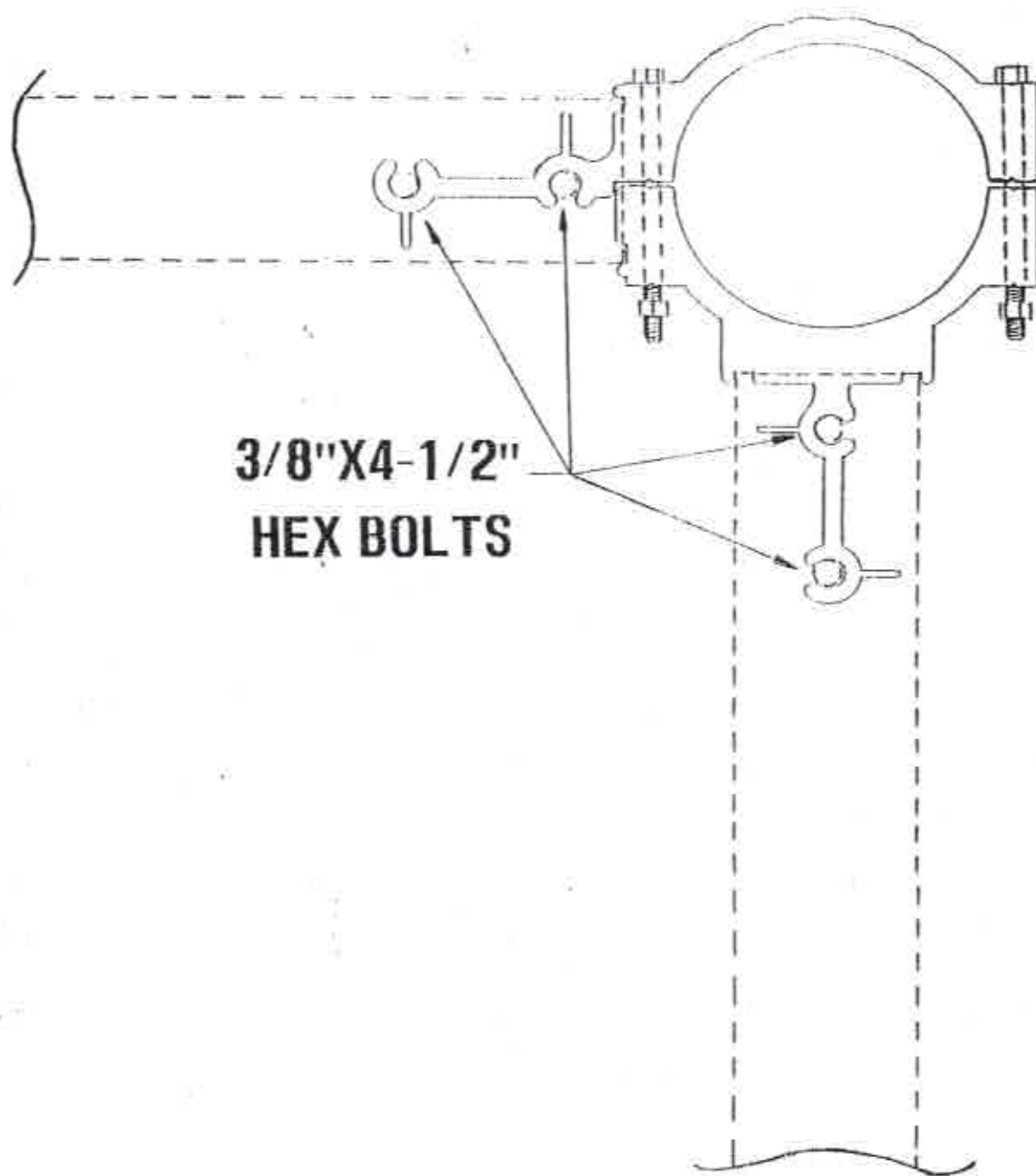
BL10





STEP #1

LAY OUT YOUR SPREADER TUBES AND CORNER CLAMPS, USING DIAGRAM #1. BE SURE THE HOLES IN THE SIDE OF THE SIDE SPREADERS ARE STRAIGHT ACROSS FROM EACH OTHER.



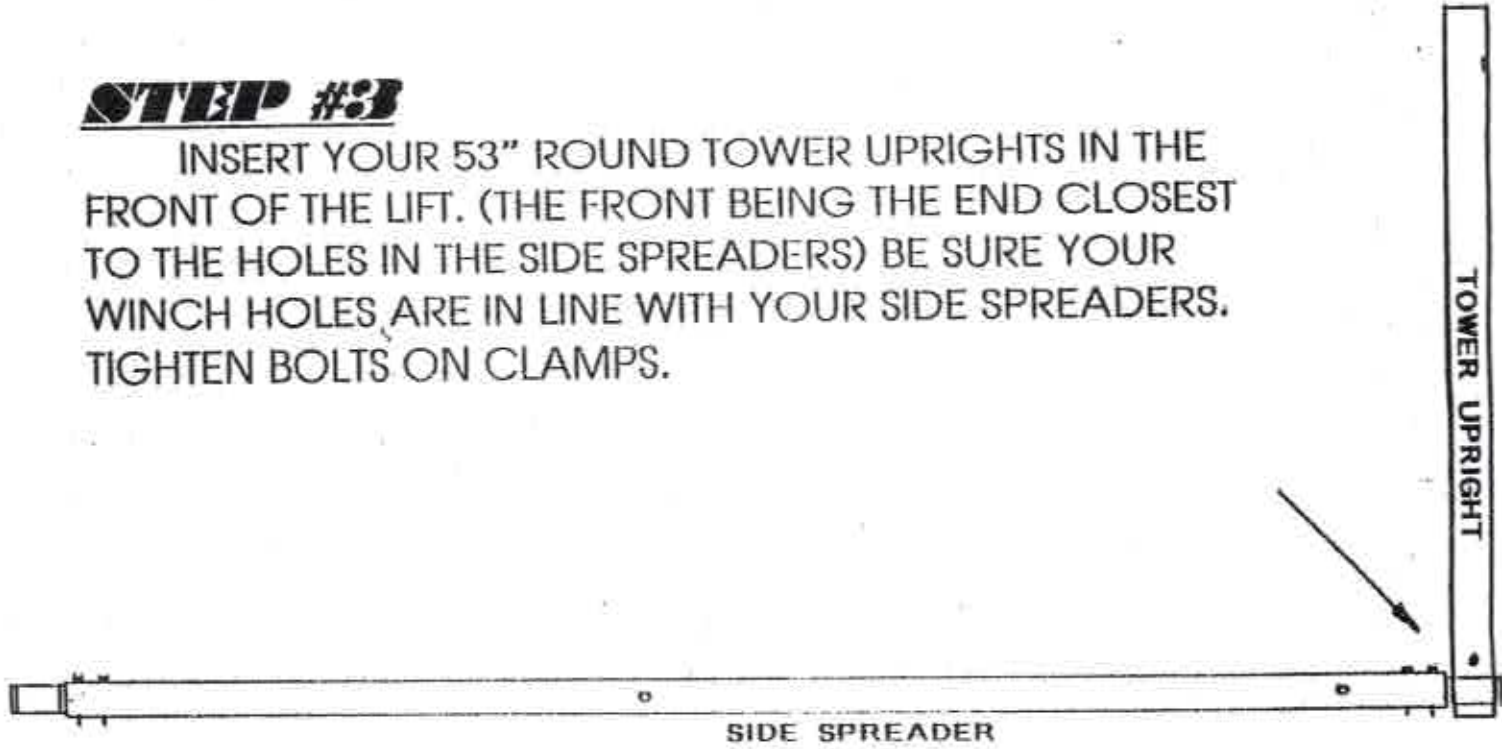
3/8"X4-1/2"
HEX BOLTS

STEP 2

INSTALL CORNER CLAMPS IN TUBES AND BOLT THEM TOGETHER USING 3/8-16 X 4-1/2" HEX BOLTS.

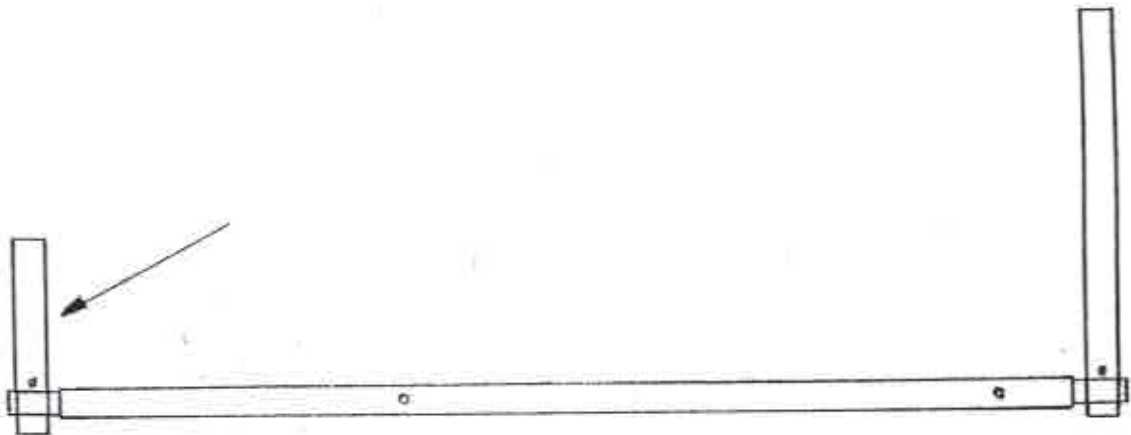
STEP #3

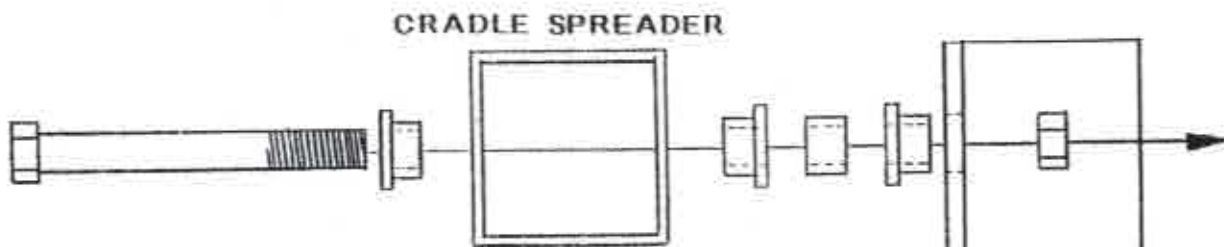
INSERT YOUR 53" ROUND TOWER UPRIGHTS IN THE FRONT OF THE LIFT. (THE FRONT BEING THE END CLOSEST TO THE HOLES IN THE SIDE SPREADERS) BE SURE YOUR WINCH HOLES ARE IN LINE WITH YOUR SIDE SPREADERS. TIGHTEN BOLTS ON CLAMPS.



STEP 4

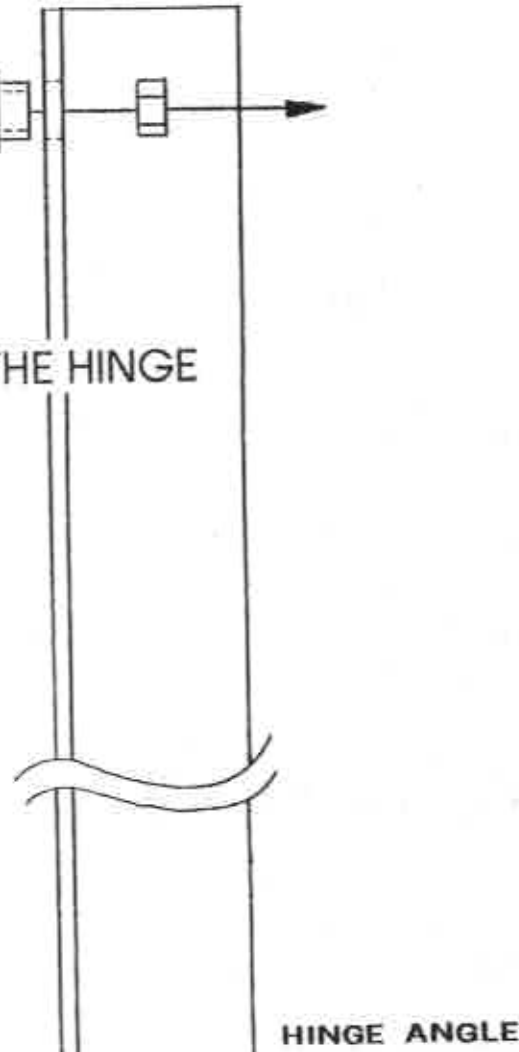
INSERT THE (24" TALL) LEG SUPPORT TUBE (3-1/2" O.D.)
INSTALL WITH THE OFFSET HOLE TOWARDS THE BOTTOM OF THE
LIFT AND IN LINE WITH THE REAR SPREADER.





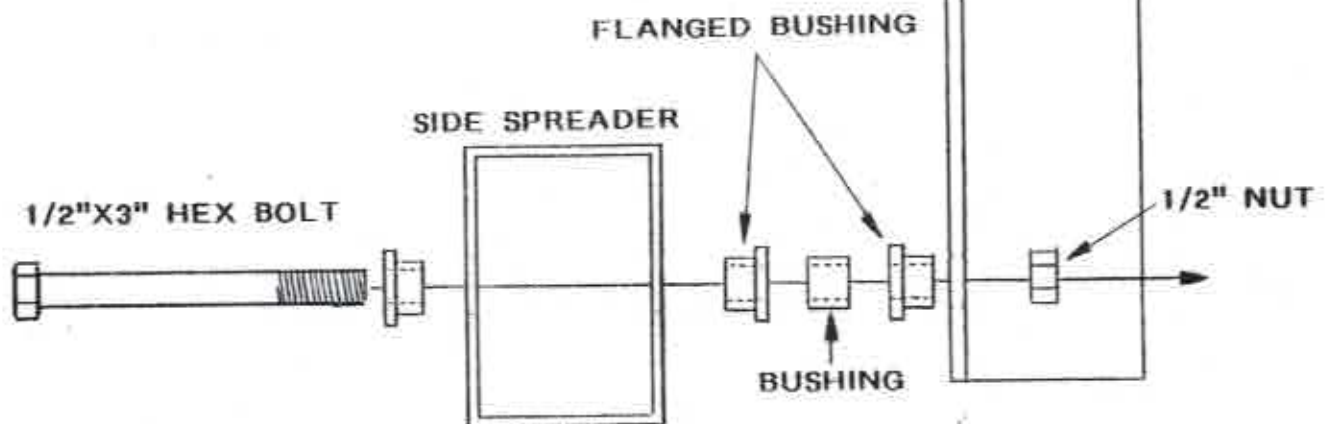
STEP #6

ATTACH THE CRADLE SPREADERS TO THE HINGE ANGLES. (USING DIAGRAM).



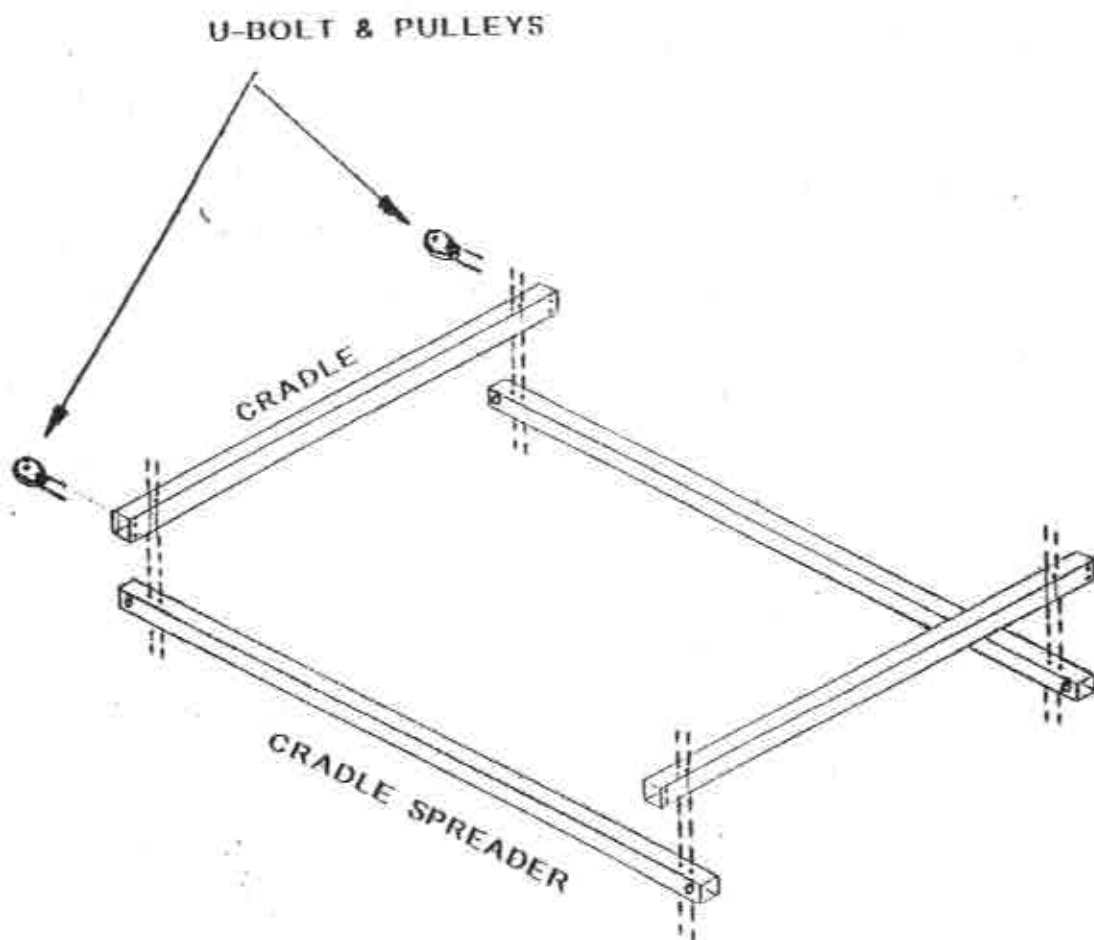
STEP #5

ATTACH THE HINGE ANGLES TO SIDE SPREADERS. (USING DIAGRAM)



STEP 7

ATTACH THE FRONT CRADLE TO THE CRADLE SPREADER USING 3/8-16 X 5-1/2" HEX BOLT.



STEP 8

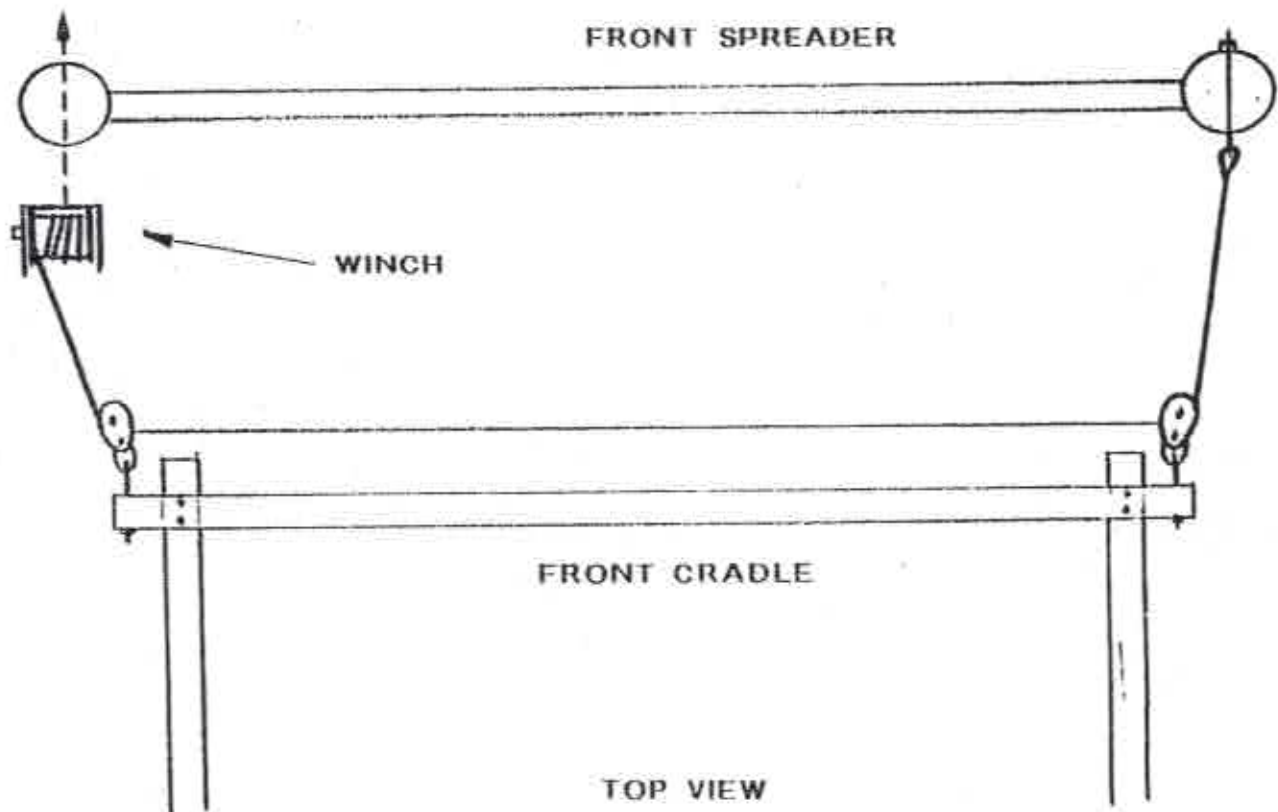
ATTACH THE TWO PULLEYS TO THE FRONT CRADLE USING (3/8-16 X 2" X 3-1/2" ROUND BEND U-BOLTS.

STEP 9

ATTACH THE WINCH TO THE TOWER UPRIGHT USING TWO 3/8-16 X 4-1/2" HEX BOLTS.

STEP 10

ON THE OPPOSITE SIDE OF THE WINCH UPRIGHT MOUNT THE CABLE USING A 3/8-16 X 2" X 5" ROUND BEND U-BOLT.

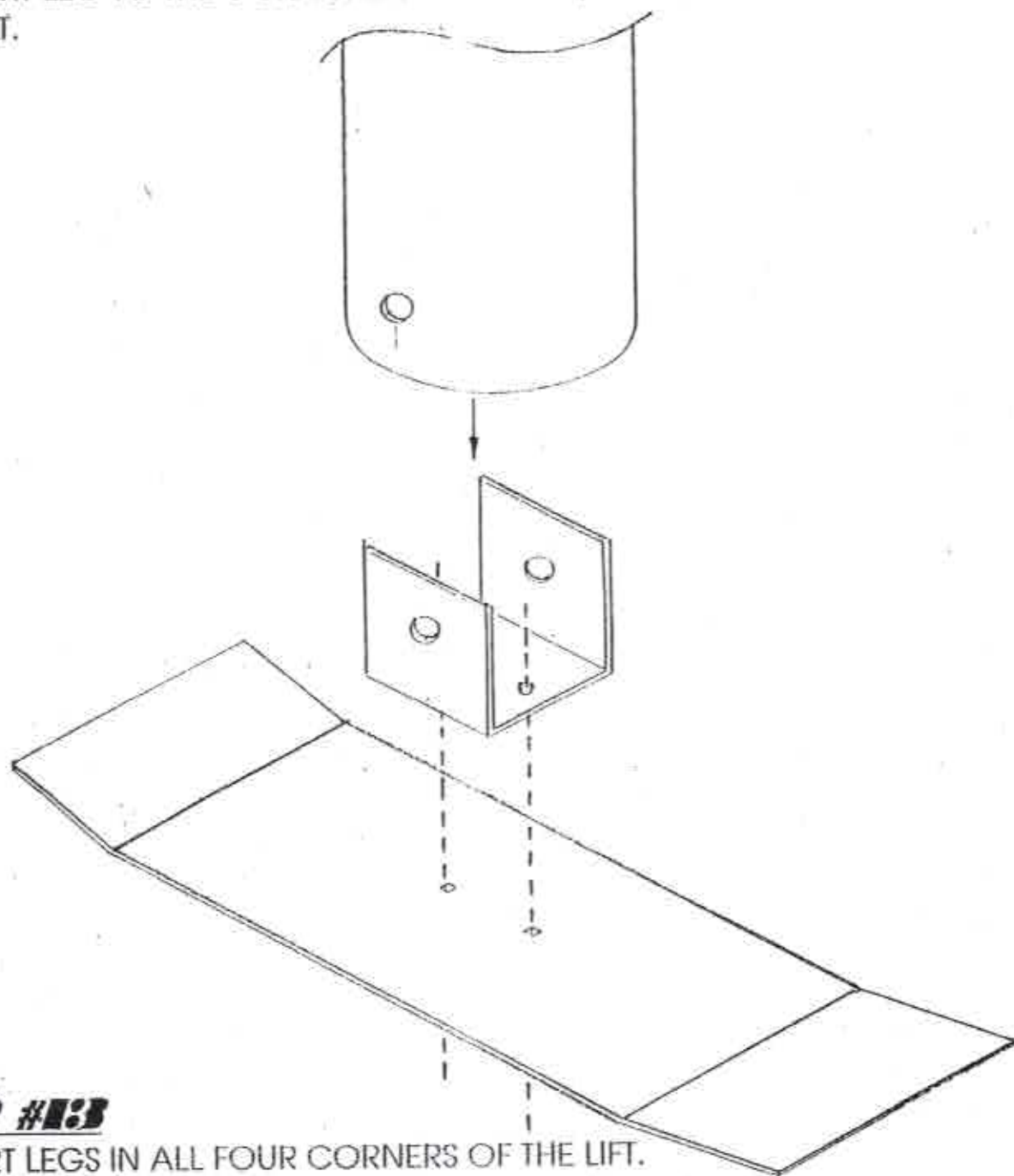


STEP 11

RUN THE CABLE DOWN THE CRADLE THROUGH THE PULLEYS TO THE WINCH. FASTEN THE CABLE TO THE WINCH AND CRANK UP THE EXCESS CABLE. (CHECK DIRECTION OF WINCH ROTATION).

STEP #12

(ASSEMBLE LEGS), TAKE THE 12" FOOT PADS AND YOUR U-BRACKETS. BOLT U-BRACKET TO THE FOOT PAD WITH TWO 1/4" X 3/4" CARRIAGE BOLTS. THEN BOLT THE INSERT LEG TO THE U-BRACKETS USING A 3/8-16 X 4" HEX BOLT.

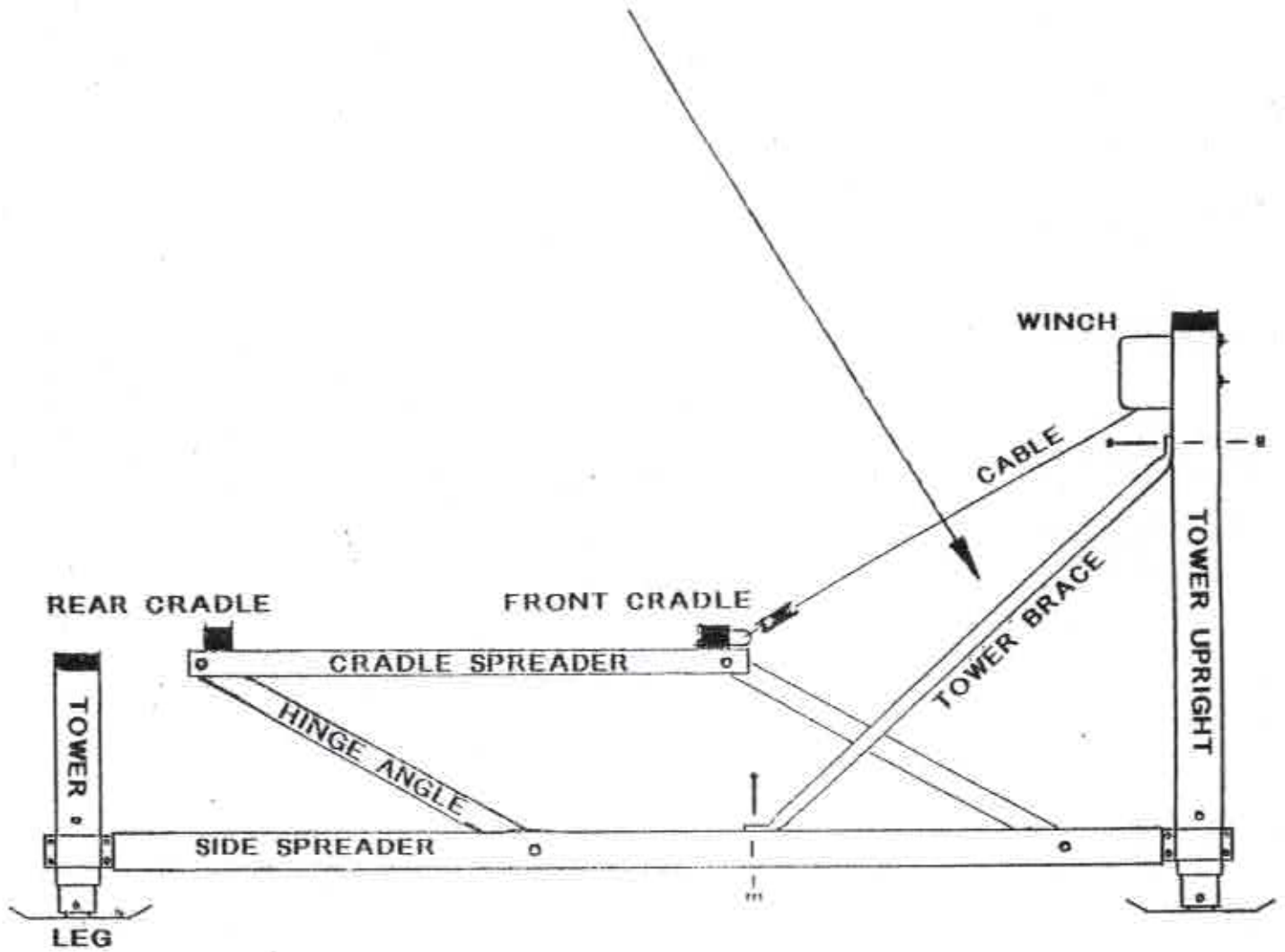


STEP #13

INSERT LEGS IN ALL FOUR CORNERS OF THE LIFT. USING A 3/8-16 X 4" BOLT IN EACH LEG. ADJUST LEG TO LEVEL THE LIFT DURING INSTALLATION.

STEP 14

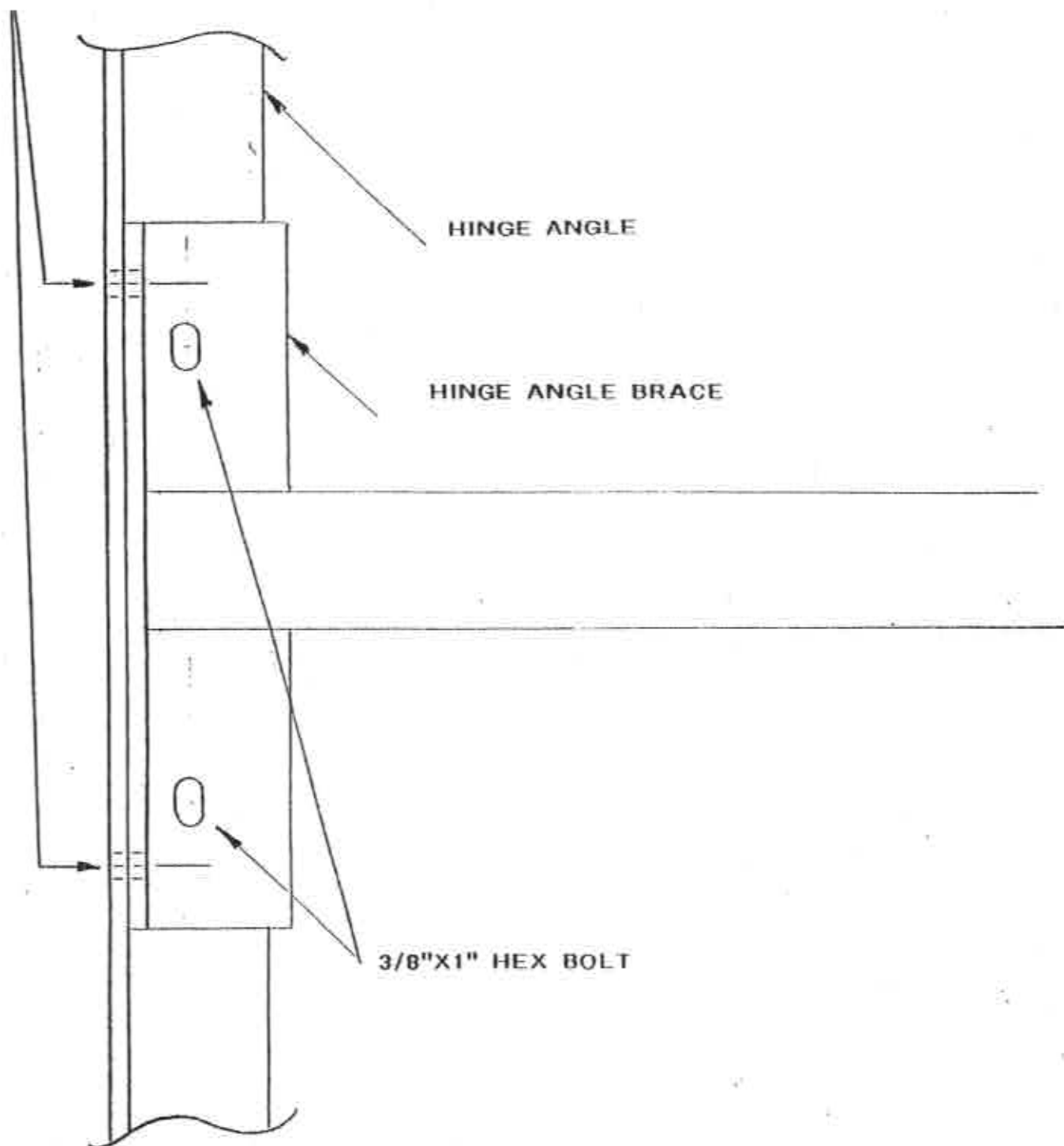
INSTALL THE TOWER BRACE. USING DIAGRAM BELOW AND (USE 3/8-16 X 5" HEX BOLTS ON THE SIDE SPREADER, AND 3/8-16 X 4-1/2" ON THE TOWER).



STEP #15

INSTALL HINGE ANGLE BRACES USING 3/8-16 X 1" HEX BOLT ON THE INSIDE OF THE HINGE ANGLE, AND A 3/8-16 X 1" CARRIAGE BOLT ON THE OUTSIDE OF THE HINGE ANGLE TO MAKE SURE THAT THERE IS NO RUBBING OF THE BOLT HEADS ON THE SIDE SPREADER.

3/8"X1" CARRIAGE BOLT



STEP 16

INSTALL BUNKS USING, 3/8-16 X 2-1/2" X 5" SQUARE BEND U-BOLTS AND THE BUNK ADJUSTMENT TUBE.

STEP 17

INSTALL CAPS. PLACE ROUND CAPS ON ALL FOUR CORNERS. IF YOU HAVE A CANOPY, THEN ALL 2" X 2" CAPS WILL GO IN THE CRADLE SPREADERS. 1-3/4" X 3" WILL GO IN THE CRADLES.

BUNK

